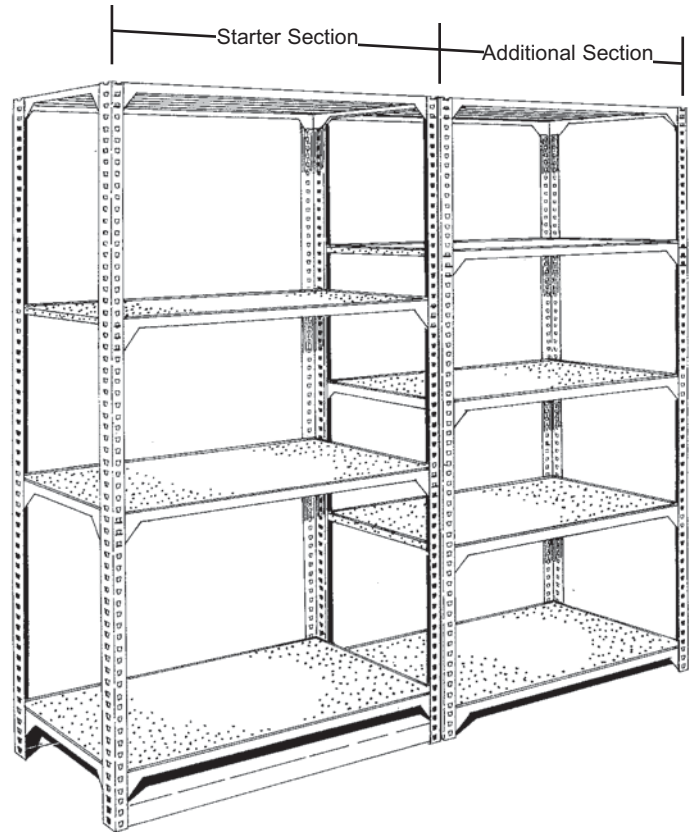


STORAGE SHELVING

Many storage problems are solved by use of sturdy, economical Madix Storage Shelving. All hanging and packaged garments, shoes, general merchandise, auto parts, as well as most industrial goods are easily accommodated with this product. Madix's unique interlocking upright/retainer design features ease of assembly, strength, durability, and 1" adjustment of shelves and accessories. Sections are available in four widths by nine heights with optional back panels. A complete line of accessories is available.

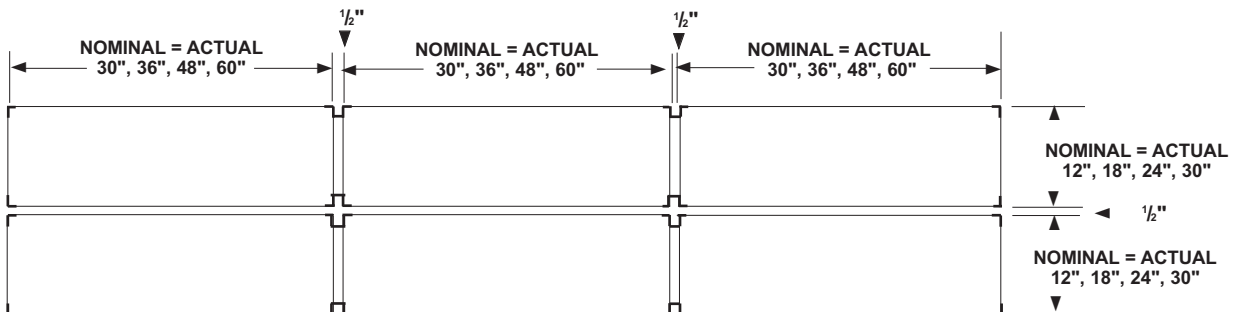
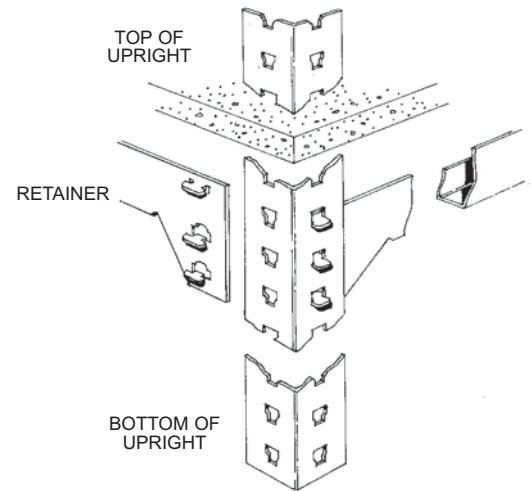
All painted parts are finished Blue Gray or Sahara for a durable quality appearance. Wood shelves are high density particle board. Wire grid shelves, 3" OC grid are also available. The customer may opt to buy his or her own deck materials.



PARTS REQUIRED
 ...to install sections with top,
 middle and bottom decks.

SECTION DEPTH		STARTER SECTION		
		ADD SECTION	EXTRA DECKS, each	
12" 18" 24"	END UPRIGHTS	4	0	0
	CENTER UPRIGHTS	0	2	0
	DEPTH RETAINERS	6	3	0
	WIDTH RETAINERS	6	6	2
	* LOAD SUPPORTS	3	3	1
	DECKS	3	3	1
30"	END UPRIGHTS	4	0	0
	CENTER UPRIGHTS	0	2	0
	DEPTH RETAINERS	6	6	2
	WIDTH RETAINERS	6	6	2
	* LOAD SUPPORTS	3	3	1
	DECKS	3	3	1

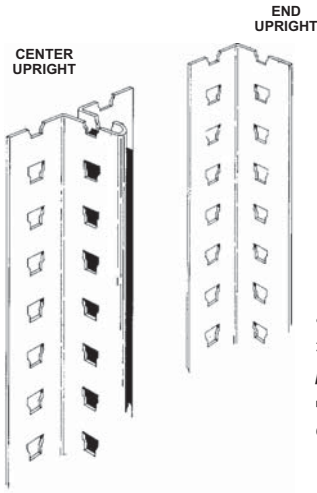
* Shelf loading capacity is 400 lbs. without load supports, 500 lbs. with load supports.



STORAGE SHELVING COMPONENTS

STORAGE SHELVING UPRIGHTS^B

A modified keyhole tab and slot design assures secure interlocking of all components. Versatile one inch OC slotting allows maximum space usage. The End Upright is 1½" x 1½" and the Center Upright is 3½" x 1½".



	MAXIMUM VERTICAL SHELF SPACING	MAXIMUM LOAD CAPACITY ...per section
UP TO 96" HIGH *	30"	3000 LBS.
	45"	2375 LBS.
	60"	1450 LBS.
OVER 96" HIGH †	30"	1800 LBS.

- Vertical shelf spacing greater than 60" is not recommended!
- * UP TO 96" HIGH...a minimum of three depth retainers are required per center or end upright pair.
- † OVER 96" HIGH...all levels, maximum of six levels must have two depth retainers and two side retainers on all shelves.

NOTE!

To preclude overturning, the height of the topmost loaded shelf can-not exceed the section depth x 6...unless all the uprights are properly anchored or braced externally.

Upright Height	END UPRIGHT		CENTER UPRIGHT	
		Wt.		Wt.
48"	\$4.25	2.0	\$6.55	3.7
60"	\$4.80	3.1	\$7.60	6.2
72"	\$5.35	3.0	\$8.85	5.5
84"	\$6.00	3.7	\$9.95	6.9
96"	\$6.55	4.1	\$11.10	7.6
108"	\$7.10	5.6	\$12.25	8.6
120"	\$7.60	6.2	\$13.40	12.5
132"	\$8.25	6.9	\$14.55	13.7
144"	\$8.85	7.5	\$15.70	15.0

- Standard finish...Sahara or Blue Gray.
- Optional color...add \$1.50 each upright.

A MINIMUM OF 3 SECTION DEPTH RETAINERS ARE REQUIRED PER CENTER OR END UPRIGHT PAIR.

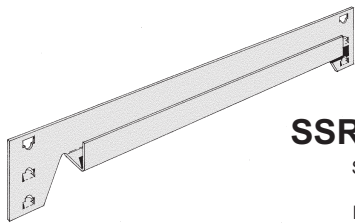
...These may or may not have shelf or hangrod application...see component requirements.

SSEU-(NH)

SS.....Storage Shelving
 EU.....End Upright = EU Center Upright = CU
 NH.....Nominal 48" to 144" in 12" Increments
(121.92 cm to 365.76 cm in 30.48 cm Increments)

STORAGE SHELVING RETAINER^B

Retainer tabs engage upright keyhole slotting for positive interlocking. Interior flange provides shelf support. Lowest installed position gives a 3" high bottom shelf.



SSR-(NL)

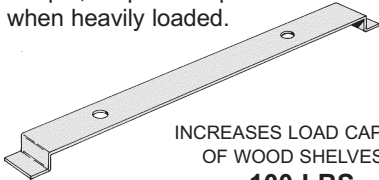
SS.....Storage Shelving
 R.....Retainer
 NL.....Nominal Length 12" to 60" in 6" Increments
(30.48 cm to 152.40 cm in 15.24 cm Increments)

	Retainer Length	Wt.		Retainers required
...for SECTION DEPTH	12"	\$1.50	0.4	0
	18"	\$1.75	0.7	0
	24"	\$2.05	0.9	0
	30"	\$2.30	1.1	2
...for SECTION WIDTH	30"	\$2.30	1.1	2
	36"	\$2.60	1.4	2
	48"	\$3.25	1.8	2
	60"	\$3.80	2.3	2

- Standard finish...Sahara or Blue Gray.
- Optional color...add \$1.50 each retainer.

STORAGE SHELVING LOAD SUPPORT^B

Simple, drop-in component installs front to rear into the retainer flanges, prevents retainers from spreading when heavily loaded.



INCREASES LOAD CAPACITY OF WOOD SHELVES BY **100 LBS.**

SSLS-(NL)

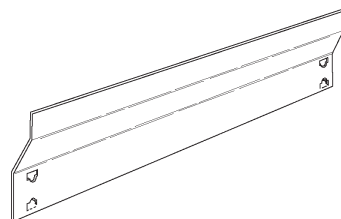
SS.....Storage Shelving
 LS.....Load Support
 NL.....Nominal Length 12" to 30" in 6" Increments
(30.48 cm to 76.20 cm in 15.24 cm Increments)

Support Length	Wt.	
12"	\$1.10	0.2
18"	\$1.25	0.3
24"	\$1.35	0.4
30"	\$1.40	0.5

- Standard finish...Sahara or Blue Gray.
- Optional color...add \$0.75 each support.

STORAGE SHELVING KICKPLATE^B

Kickplate inserts at the bottom of the Uprights prior to the installation of bottom retainers. Kickplate joggle fits under the section Width Retainer at front or rear, raising the bottom shelf from normal 3" height to 5". Kickplate does not fit at section depth.



SSKP-(NL)

SS.....Storage Shelving
 KP.....Kickplate
 NL.....Nominal Length 24" to 48" in 6" Increments, and 60"
(60.96 cm to 121.92 cm in 15.24 cm Increments, and 152.40 cm)

Section Width	Wt.	
24"	\$7.10	2.0
30"	\$7.55	2.6
36"	\$8.05	3.2
48"	\$8.95	4.2
60"	\$9.75	5.2

- Standard finish...Sahara or Blue Gray.
- Optional color...add \$1.50 each kickplate.

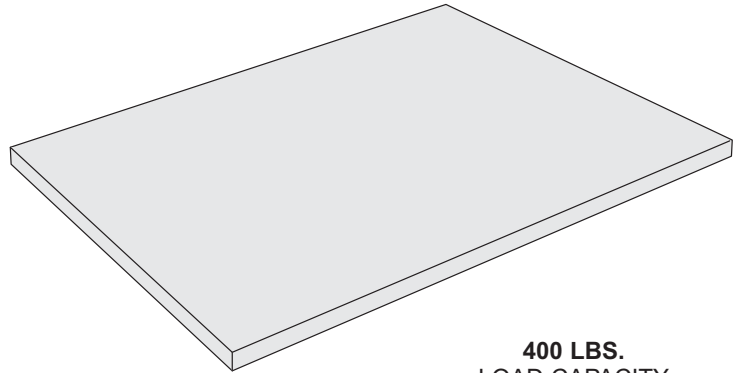
STORAGE SHELVING COMPONENTS

STORAGE SHELVING WOOD SHELVES^B

Wood shelves are 5/8" thick high density particle board for durability and strength.

Section Width	x	Section Depth		Wt.
30"	x	12"	\$3.50	6.8
		18"	\$4.80	10.1
		24"	\$6.10	13.5
		30"	\$7.40	16.9
36"	x	12"	\$4.05	8.1
		18"	\$5.55	12.1
		24"	\$7.15	16.2
		30"	\$8.65	20.3
48"	x	12"	\$5.05	10.8
		18"	\$7.15	16.2
		24"	\$9.25	21.6
		30"	\$11.25	27.0
60"	x	12"	\$6.10	13.5
		18"	\$8.65	20.2
		24"	\$11.25	27.0
		30"	\$13.85	33.8

For job site cutting of decks... dimensions shown are actual



400 LBS.
LOAD CAPACITY

SSWS-(NW)(ND)

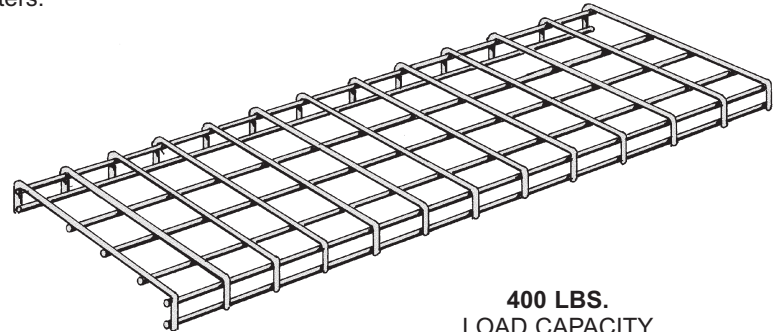
SS.....Storage Shelving
 WS.....Wood Shelving
 NW.....Nominal Section Width 30", 36", 48" and 60"
(76.20 cm, 91.44 cm, 121.92 cm and 152.40 cm)
 ND.....Nominal Depth 12" to 30" in 6" Increments
(30.48 cm to 76.20 cm in 15.24 cm Increments)

STORAGE SHELVING WIRE GRID SHELVES^B

Storage Shelving Wire Grid Shelves are constructed of sturdy wire, approximately 5/16" diameter, welded on 3" x 3" grid centers.

Section Width	x	Section Depth		Wt.
30"	x	12"	\$23.80	8.4
		18"	\$28.05	10.9
		24"	\$32.35	13.4
		30"	\$35.95	15.9
36"	x	12"	\$28.65	10.1
		18"	\$33.10	13.1
		24"	\$37.65	16.1
		30"	\$40.25	19.1
48"	x	12"	\$36.25	13.4
		18"	\$38.95	17.4
		24"	\$44.75	21.4
		30"	\$48.10	25.4
60"	x	12"	\$38.35	16.7
		18"	\$45.45	21.6
		24"	\$52.60	26.5
		30"	\$56.70	31.4

• Standard finish...Sahara, Blue Gray, or PC031 Silver Vein
 • Optional color...add \$1.50 each



400 LBS.
LOAD CAPACITY

SSWGS-(NW)(ND)

SS.....Storage Shelving
 WGS.....Wire Grid Shelving
 NW.....Nominal Section Width 30", 36", 48" and 60"
(76.20 cm, 91.44 cm, 121.92 cm and 152.40 cm)
 ND.....Nominal Section Depth 12" to 30" in 6" Increments,
(30.48 cm to 76.20 cm in 15.24 cm Increments)

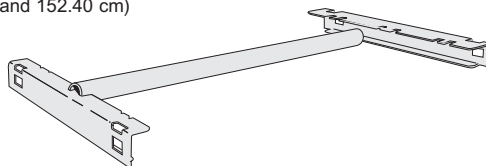
STORAGE SHELVING HANGRODS^B

Hangrod assembly includes one 1" diameter zinc plated steel hangrod and two painted steel brackets. Brackets insert into depth retainers and have three slots for either single or double hanging. 24" and 30" depths are recommended for double hanging. Extra Hangrods may be ordered separately.

NOTE! Order two SSR-□□ depth retainers per each hangrod assembly.

SSHR-(ND)

SS.....Storage Shelving
 HR.....Hangrod
 ND.....Nominal Section Width 30", 36", 48" and 60"
(76.20 cm, 91.44 cm, 121.92 cm and 152.40 cm)



SSHRA-(NW)(ND)

SS.....Storage Shelving
 HRA.....Hangrod Assembly
 NW.....Nominal Section Width 30", 36", 48" and 60"
(76.20 cm, 91.44 cm, 121.92 cm and 152.40 cm)
 ND.....Nominal Section Depth 12" to 30" in 6" Increments,
(30.48 cm to 76.20 cm in 15.24 cm Increments)

	Section Width	x	Section Depth		Wt.
HANGROD plus BRACKET ASSEMBLY	30"	x	12"	\$18.40	4.2
			18"	\$19.05	4.9
			24"	\$19.75	5.8
			30"	\$20.50	6.4
	36"	x	12"	\$20.25	4.7
			18"	\$20.95	5.4
			24"	\$21.60	6.3
			30"	\$22.30	6.9
	48"	x	12"	\$23.95	5.7
			18"	\$24.60	6.4
			24"	\$25.30	7.3
			30"	\$26.00	7.9
60"	x	12"	\$27.60	6.7	
		18"	\$28.30	7.4	
		24"	\$29.05	8.3	
		30"	\$29.70	8.9	
HANGROD ONLY			30"	\$5.30	2.4
			36"	\$5.55	2.9
			48"	\$6.10	3.9
			60"	\$6.40	4.9

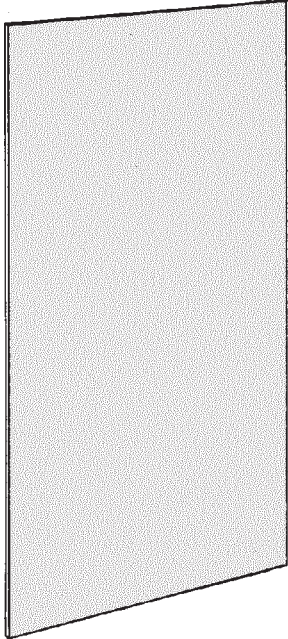
• Standard finish brackets...Sahara or Blue Gray.
 • Optional color brackets...add \$1.50 each pair .
 • Hangrod finish...zinc plated.

STORAGE SHELVING COMPONENTS

STORAGE SHELVING BACK PANELS/END PANELS^B

Unfinished Hardboard Panels to close off rear and ends of sections for security or to prevent merchandise sliding through to opposite side when installed in back to back sections.

NOTE! Each Panel requires six back to back connectors for installation.



SSB-(NH)(NW)

SS.....Storage Shelving
 B.....Back/End Panels
 NH.....Nominal Back Height 48" to 96" in
12" Increments
(121.92 cm to 243.84 cm in 30.48
cm Increments)
 NW.....Nominal Section Width 12" to 48"
in 6" Increments and 60"
(30.48 cm to 121.92 cm in 15.24
cm Increments, and 152.40 cm)

NOTE!...For taller sections...

Upright Height	Back Height Combinations	MBS-□ splicers
108"	48" + 60"	1
120"	60" + 60"	1
132"	60" + 72"	1
144"	72" + 72"	1

Back Height	BACK PANELS							
	30" WIDE		36" WIDE		48" WIDE		60" WIDE	
		Wt.		Wt.		Wt.		Wt.
48"	\$18.70	9.4	\$21.95	11.4	\$21.95	15.4	\$23.85	19.4
60"	\$22.25	12.1	\$23.45	14.2	\$23.45	19.2	\$27.60	24.1
72"	\$23.80	14.5	\$24.95	17.1	\$24.95	23.0	\$29.15	29.0
84"	\$25.30	16.9	\$26.80	19.9	\$26.80	26.9	\$30.40	33.8
96"	\$26.85	19.4	\$28.50	22.8	\$28.50	30.7	\$33.70	38.7

Back Height	END PANELS							
	12" WIDE		18" WIDE		24" WIDE		30" WIDE	
		Wt.		Wt.		Wt.		Wt.
48"	\$12.15	3.4	\$12.15	5.4	\$18.70	7.4	\$18.70	9.4
60"	\$14.40	4.6	\$14.40	7.1	\$22.25	9.6	\$22.25	12.1
72"	\$16.70	5.5	\$16.70	8.5	\$23.80	11.5	\$23.80	14.5
84"	\$19.00	6.4	\$19.00	9.9	\$25.30	13.4	\$25.30	16.9
96"	\$21.45	7.4	\$21.45	11.4	\$26.85	15.4	\$26.85	19.4

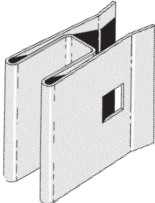
MBS-(NW)

MBS.....Mirror Back Splicer
 NW.....Nominal Width 30", 3', 4', 5'
(76.20 cm, 91.44 cm,
121.92 cm, 152.40 cm)

Splicer Width	MBS-□			Wt.
30"	MBS-30	\$6.40	.4	
3'	MBS-3	\$6.40	.5	
4'	MBS-4	\$6.40	.6	
5'	MBS-5	\$7.75	.7	

STORAGE SHELVING BACK TO BACK RETAINER^A

Simple, snap-on component clips onto the upright angles. Formed pocket accepts Back Panels, *if used*. One pack required for each Back Panel, one additional pack required for Upper Panel if section is over 96" high.



SSBBC-6

SSBBC.....Storage Shelving Back to Back Retainer
 6.....6 Pack

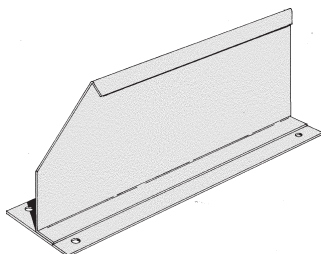
	Pack	Wt.
SSBBC-6	\$6.20	6 0.1

STORAGE SHELVING SHELF DIVIDER^B

The Storage Shelving Shelf Divider screws to the Wood Deck, may be used with or without product retainer at right.

SSSD-(NH)(NL)

SS.....Storage Shelving
 SD.....Shelf Divider
 NH.....Nominal Height 6" or 9" (15.24 cm or 22.86 cm)
 NL.....Nominal Length 12" to 30" in 6" Increments,
(30.48 cm to 76.20 cm in 15.24 cm Increments)

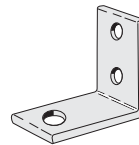


Divder Height	Divder Length		Wt.
6" HIGH	12"	\$9.85	2.1
	18"	\$10.55	3.0
	24"	\$11.40	4.1
	30"	\$11.90	5.1
9" HIGH	12"	\$10.25	2.6
	18"	\$11.15	3.8
	24"	\$12.25	5.1
	30"	\$13.20	6.3

- Standard finish...Sahara or Blue Gray.
- Optional color...add \$1.50 each divider.

STORAGE SHELVING UPRIGHT FLOOR ANCHOR KIT^A

For use when local building codes require shelving to be anchored. Heavy gauge angles secure to Uprights with included hardware. *Expansion bolts to secure angle to floor not included.*



SSUFAK

SSUFAK.....Storage Shelving Upright Floor Anchor Kit

	Pack	Wt.
SSUFAK	\$1.85	1 0.3

- Optional color... add \$0.50 each.

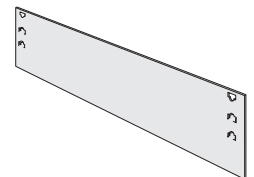
STORAGE SHELVING PRODUCT RETAINER^B

Punched strip slips down between the front or rear retainer and deck to provide a 3" high lip to prevent product slippage.

SSPR-(NL)

SS.....Storage Shelving
 PR.....Product Retainer
 NL.....Nominal Length 24" to 48" in 6" Increments and 60"
(60.96 cm to 121.92 cm in 15.24 cm Increments and 152.40 cm)

Section Length		Wt.
24"	\$3.65	2.1
30"	\$4.10	2.6
36"	\$4.55	3.1
48"	\$5.45	4.2
60"	\$6.40	5.2



- Standard finish...Sahara or Blue Gray.
- Optional color...add \$0.75 each retainer.

Copyright © 2005 Madix, Inc.

Prices and specifications subject to change without notice.

