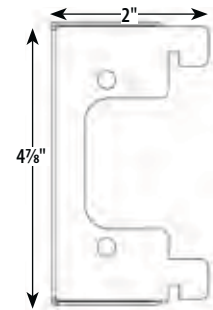
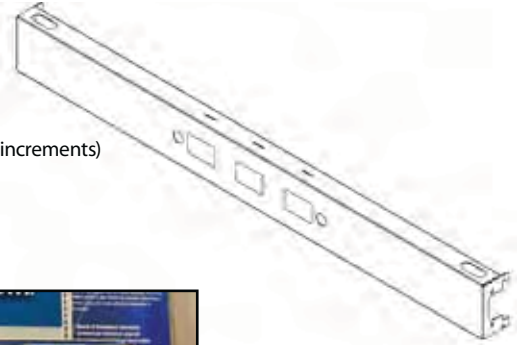


Power Spanner-3 Port System^B

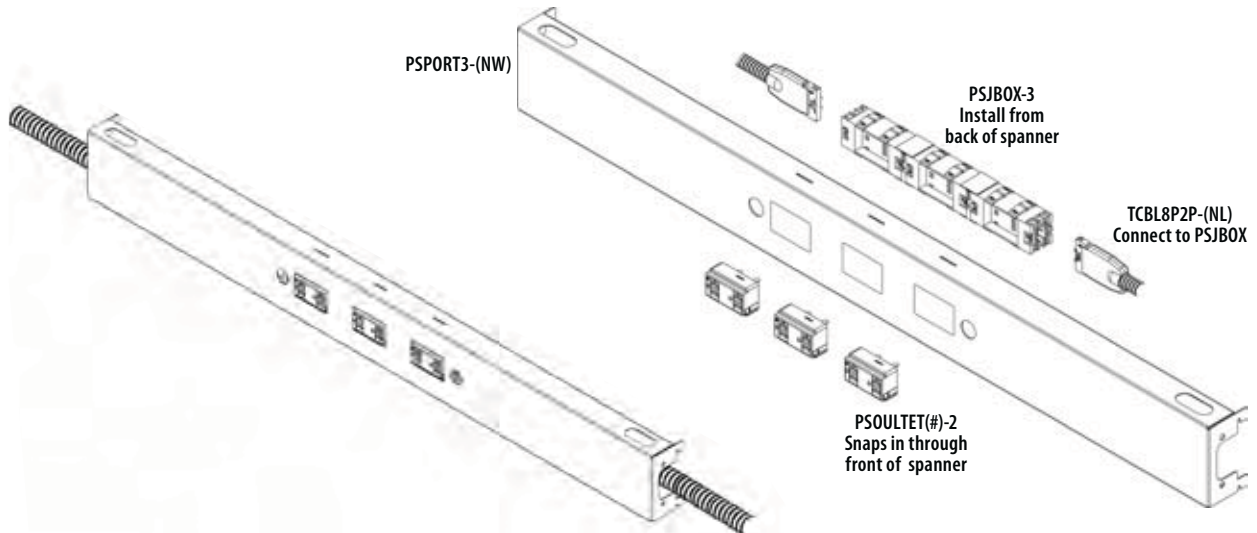
- Fits both Maxi and Tube Line
- Each Power Spanner requires purchase of three Power Spanner Outlets (PSOUTLET), one Power Spanner Junction Box (PSJBOX-3) and one 8-Wire Line Entry Cable Assembly (TCBL8LE16), ordered separately
- Available in widths of 24" to 48" in 6" increments
- Outlets can be ordered to permit electricity to operate on one or multiple circuits
- Multiple circuits available for balance of power load
- Easy electrical access
- Minimizes clutter

PSPORT3-(NW)

PS Power Spanner
 PORT3 ... 3 Port
 NW Nominal Width
 24" to 48" in 6" increments
 (610 mm to 1219 mm in 152 mm increments)



power spanner 3 port system

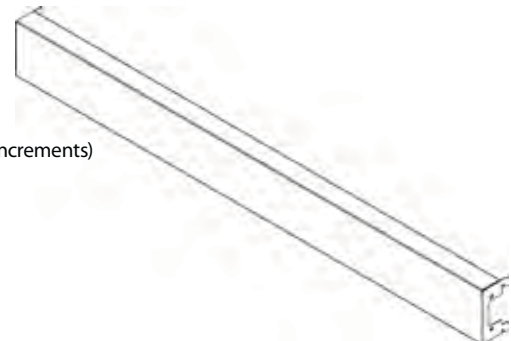


Power Spanner Cable Chase^B

- Conceals power cables in sections where electricity is not needed

PSPORT0-(NW)

PS Power Spanner
 PORT0 ... 0 Port
 NW Nominal Width
 24" to 48" in 6" increments
 (610 mm to 1219 mm in 152 mm increments)

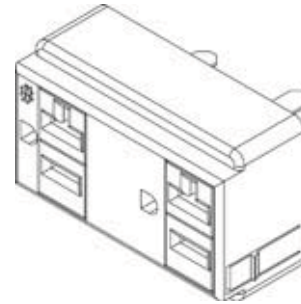


Power Spanner Outlet^D

- Provides electricity to shelving runs when inserted into a Power Spanner Junction Box (PSJBOX), sold separately
- Design allows field plug and play changes for phase load balancing
- UL Listed, rated at 125V
- Meets NEMA 5-15R
- All Outlets are black

PSOUTLET(OPT)-(ND)

- PSOUTLETPower Spanner Outlet
- OPT.....Optional Power Circuits:
- 1 = 1 Circuit
 - 2 = 2 Circuits
 - 3 = 3 Circuits
 - 4 = 4 Circuits
- ND.....Nominal Depth 2" (51 mm)

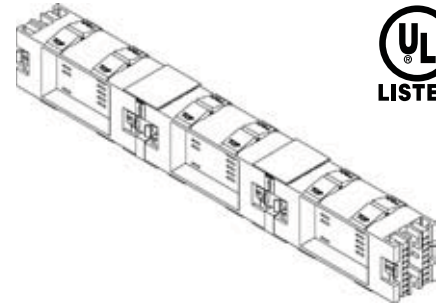


Power Spanner Junction Box^D

- Up to three outlet openings per side, totaling six outlets or 12 plug points
- UL Listed, rated at 125/250 VAC
- All Junction Boxes are black

PSJBOX-(OPT)

- PSJBOX.....Power Spanner Junction Box
- OPT.....Optional Outlets
- 2 = 2 Outlets
 - 3 = 3 Outlets



8-Wire Power-to-Power Cable Assembly^D

- Connects adjacent Power Spanners
- Wide variety of lengths available to meet your electrical needs (see chart)
- UL Listed

TCBL8P2P-(NL)

- TCBL8P2P.....8-Wire Power-to-Power Cable Assembly
- NL.....Nominal Length (see chart)

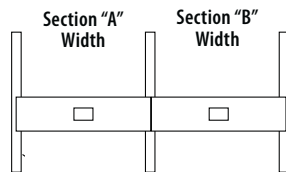


Diagram to determine straight section cable lengths

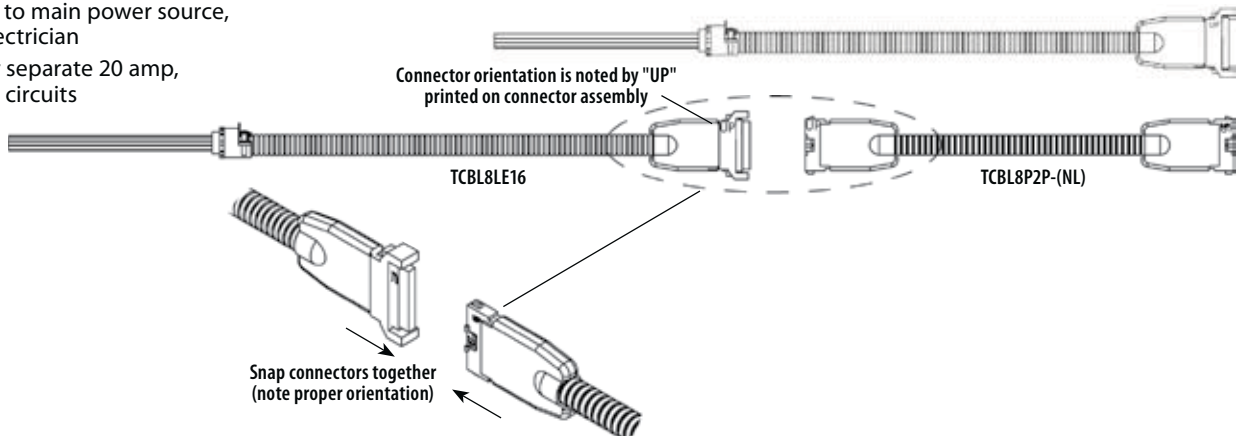
Part Number	Section A	Section B	Part Number	Section A	Section B
TCBL8P2P-15	-	-	TCBL8P2P-64	-	-
TCBL8P2P-23	24	48	TCBL8P2P-72	-	-
TCBL8P2P-23	30	42	TCBL8P2P-76	-	-
TCBL8P2P-30	36	48	TCBL8P2P-84	-	-
TCBL8P2P-30	42	42	TCBL8P2P-96	-	-
TCBL8P2P-31	-	-	TCBL8P2P-120	-	-
TCBL8P2P-33	-	-	TCBL8P2P-144	-	-
TCBL8P2P-35	48	48	TCBL8P2P-240	-	-
TCBL8P2P-42	-	-	TCBL8P2P-264	-	-
TCBL8P2P-45	-	-	TCBL8P2P-300	-	-
TCBL8P2P-60	-	-	TCBL8P2P-360	-	-

8-Wire Line Entry Cable Assembly^D

- Connects to Power-to-Power Cables
- Hard wired to main power source, requires electrician
- Allows four separate 20 amp, 120 volt AC circuits

TCBL8LE16

- TCBL8LE.....8-Wire Line Entry Cable Assembly
- 16.....Nominal Length 16" (410 mm)



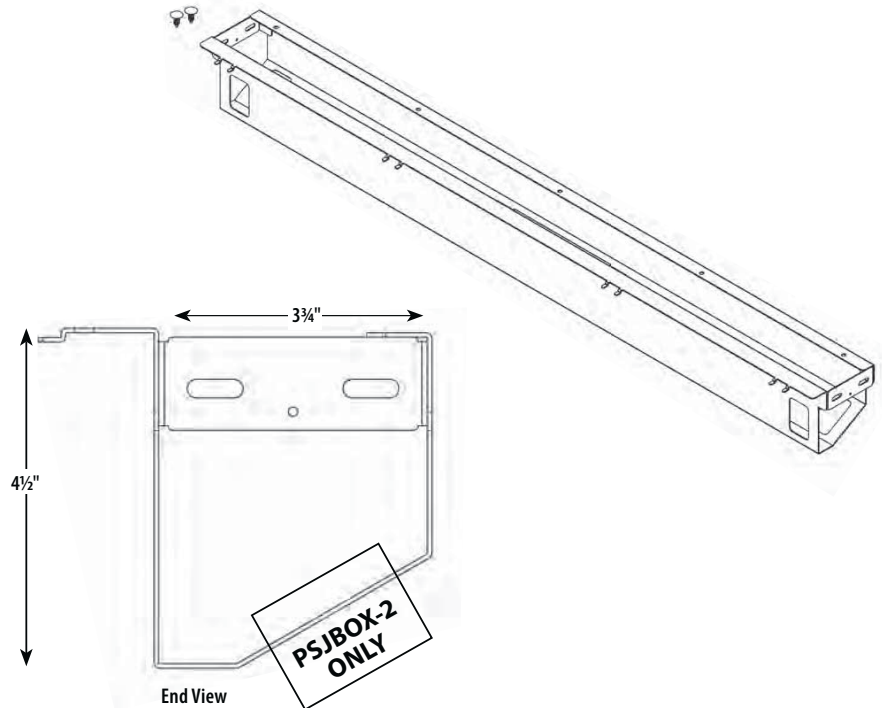
Extended Shelf Power Trough^B

- Fits Extended Shelves and Extended Base Shelves, with a 4" (102 mm) extension
- Available in nominal widths of 36", 42" and 48"
- Each Extended Shelf Power Trough requires the purchase of two Power Spanner Outlets (PSOUTLET), one Power Spanner Junction Box (PSJBOX-2) and an 8-Wire Power-to-Power Cable Assembly (TCBL8P2P)



ESPT(NW)

ESPT Extended Spanner Power Trough
 NW Nominal Width 36", 42", 48"
 (914 mm, 1067 mm, 1219 mm)

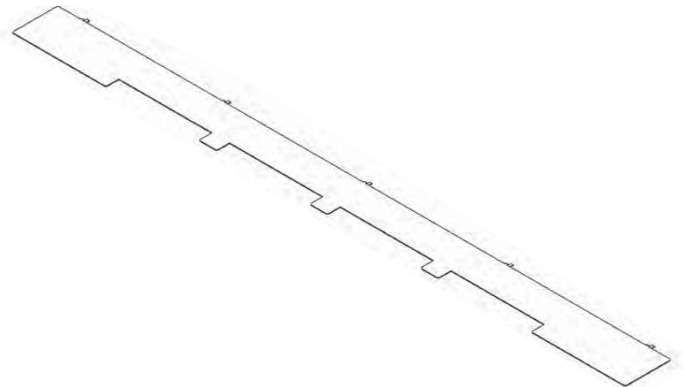


Extended Shelf Electrical Lid^B

- Lids have joggle tabs that fit into back of Extended Shelf Power Trough (ESPT) to form hinge
- Available in nominal widths of 3' and 4'
- Each 3' lid has three openings, measuring 6 5/8" (168 mm) wide
- Each 4' lid has four openings, measuring 7 1/4" (184 mm) wide

ESEL-(NW)

ESEL Extended Shelf Electrical Lid
 NW Nominal Width 3' and 4'
 (914 mm and 1219 mm)



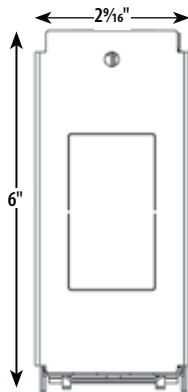
Vertical Integrated Power System^B

- Power product displays, digital signage, or lighting in fixture units
- Available in nominal heights of 36" to 96"
- Accepts PSJBOX2 only, quantity based on nominal height (see chart)
- Outlets can be ordered to permit electricity to operate on one or multiple circuits
- Multiple circuits available to balance power load
- Outlets, junction boxes and cabling required to electrify VIPS, ordered separately
- Attaches to Basic Upright (BU)



VIPS(NH)(OPT)

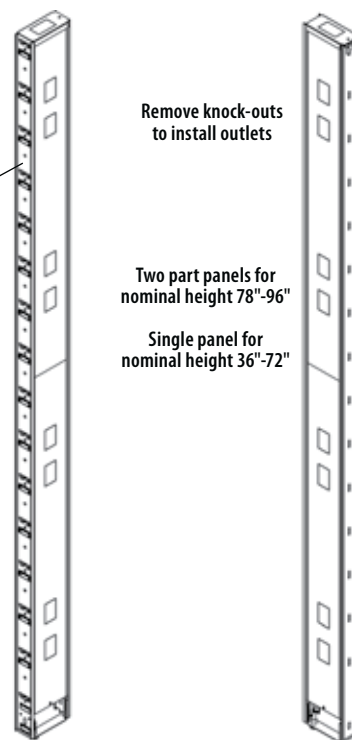
VIPS Vertical Integrated Power System
 NH Nominal Height 36" to 96" in 6" increments
 (914 mm to 2438 mm in 152 mm increments)
 OPT Blank=with side panels
 X=without side panels



Top View



Standard Maxi Line side panel to accept spanners and backs



Nominal Height	PSJBOX-2 Qty	PSOUTLET(#)-2 Qty	Plug Point Qty
36	1	2	4
42	1	2	4
48	2	4	8
54	2	4	8
60	2	4	8
66	2	4	8
72	3	6	12
78	3	6	12
84	3	6	12
90	3	6	12
96	4	8	16

Quantity for single side application.
 Quantities double when using both sides.

NOTE!

For both VIP and VIPSE, order Top Spanner (STL), Center Spanner-SC, Lower Spanner (SL) and backs 6" less than nominal width of Standard Upper Shelf-SUS or Standard Base Shelf (SBS) being used.

Vertical Integrated Power System Extension^B

- Attaches to Extension Upright (EU), or for use adjacent to extension back panels
- Accepts PSJBOX-2 only, quantity based on nominal height (see chart)
- Available in nominal heights of 36" to 96"

VIPSE(NH)(OPT)

VIPSE Vertical Integrated Power System Extension
 NH Nominal Height 36" to 96"
 (914 mm to 2438 mm)
 OPT Blank=with side panels
 X=without side panels

Electric Slidetrack Powerstrip[®]

- Attaches to any Gondola with use of double-sided tape or attached to back panels using screws (tape/hardware not provided)
- Powerstrip includes three power receptacles (three electrical outlets), lighted on/off switch, and 8' power cord
- Receptacles can be repositioned by sliding up or down track
- Measurements:
52" L (1321 mm) x 3/4" H (19 mm) x 15/16" D (49 mm)
- Can be cut-to-fit
- 15A circuit breaker
- Rating: 15A, 125V, 1875W
- White only
- UL Listed

CU092079WHU

CU092079.....Electric Slidetrack Powerstrip
52" (1321 mm)
WHU.....White

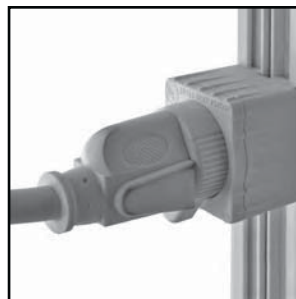


Electric Slidetrack Receptacle[®]

- Snaps onto Electric Slidetrack
- One grounded and polarized outlet
- Measurements:
1 1/2" L (38 mm) x 1 1/2" H (38 mm) x 1 1/2" D (38 mm)
- 15A circuit breaker
- Rating: 15A, 125V, 1875W
- White only
- UL Listed

CU092081WH

CU092081.....Electric Slidetrack Receptacle
WH.....White



Powerstrip Spanner Insert^D

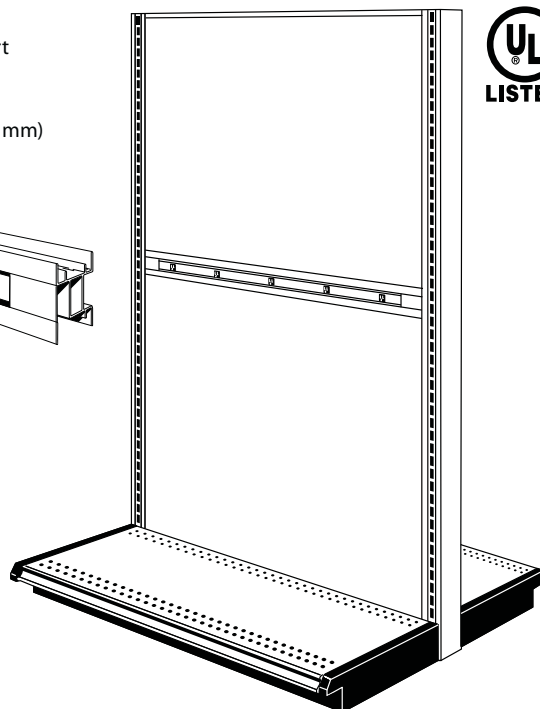
- Provides electrical access for merchandising electronics or small appliances
- Subtract 2" (51 mm) from top panel to accommodate Spanner Inserts when ordering Back Panels
- Two-sided version for a Gondola
- Wall version for one-sided electrical access
- Available in 48" width only
- UL Listed

PSSI-(TYPE)-(NW)

PSSI Powerstrip Spanner Insert
 TYPE G = Gondola
 W = Wall
 NW Nominal Width 48" (1219 mm)



Available in 48" width only



NOTE!

Unit is pre-wired for installation by electrician— no plug.

Plug Mold and Mounting Bracket Assembly^D

- Attaches to Maxi or Tube Line Uprights
- Hard wired with 110V electrical outlets, electrician required for installation
- Caps cleanly finish off ends of runs
- Mounting Bracket Assembly finished in any Madix finish
- Plug Mold available in almond only
- UL Listed

PM MBA-(NW)

PM MBA Plug Mold and Mounting Bracket Assembly
 NW Nominal Width 24" to 48" in 6" increments
 (610 mm to 1219 mm in 152 mm increments):
 2', 30", 3', 42", 4' (610 mm, 762 mm, 914 mm, 1067 mm, 1219 mm)

Width	# of Outlets
2'	2
30"	4
3'	6
42"	6
4'	8

