

END FRAME

INSTALLATION INSTRUCTION



DO NOT EXCEED THE MAXIMUM LOAD RATINGS!

Recommended maximum load is 150 lbs. per individual shelf!
400 lbs total for End Frame!



The four sections adjacent to end frame must be treated as specified in steps 1 through 3!



In the uprights of the first four sections, tap in STL clips so that the tabs go straight through the lances in the upright.



Take the STLs (top spanners) for the first four sections and cut the tabs at both ends as shown.



Align holes in STL with STL clips and screw together at both ends. **NOTE: ALL FOUR STLs SHOULD BE SECURED BEFORE PROCEEDING!**



If existing shelving run, remove upright end cover.



If shelving run does not have metal flat, slip on the short upright end cover as shown.



Rotate lower clips on end frame as shown.



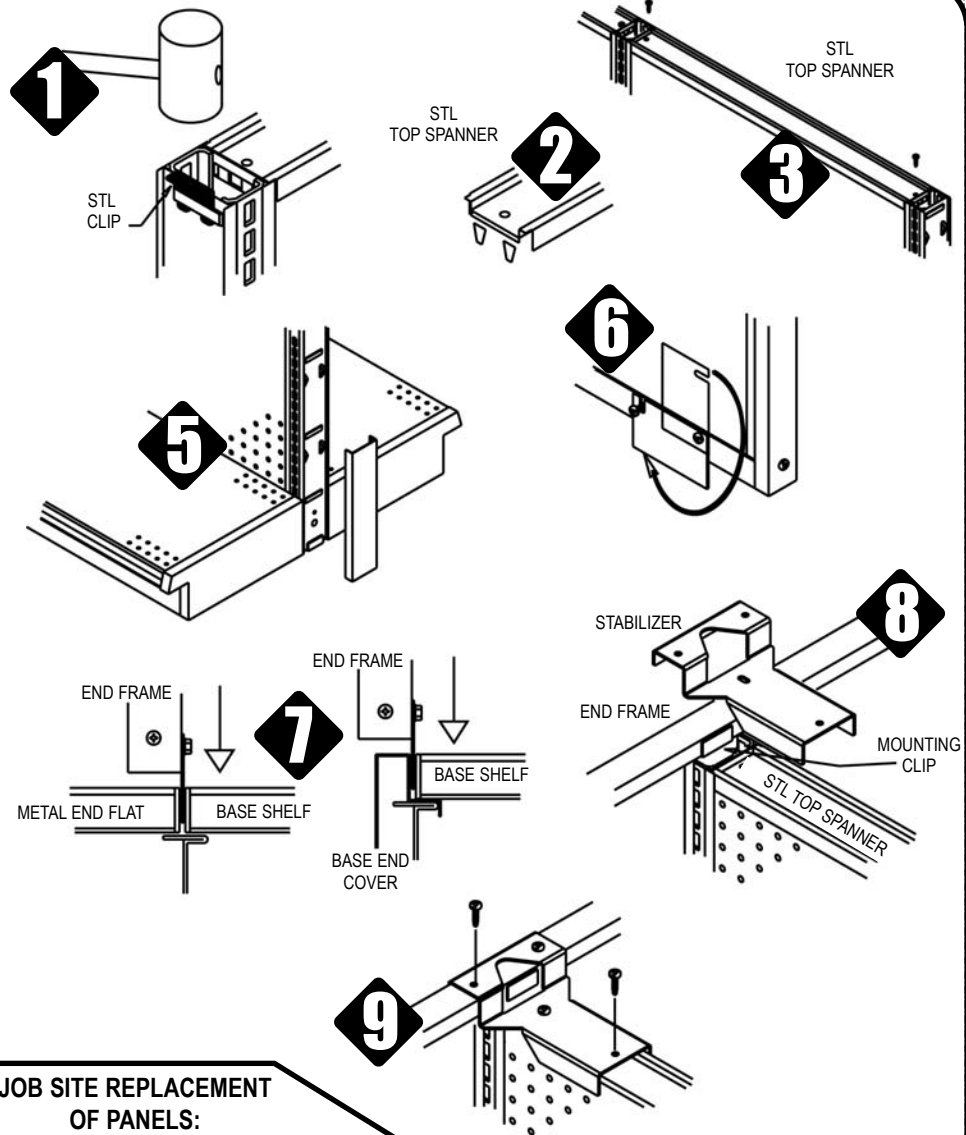
Lower end frame so that lower clips are next to base shelf as shown ...mounting clip at top must slip into upright at same time as shown in step 8.



Place stabilizer over STL of shelving run and end frame as shown.

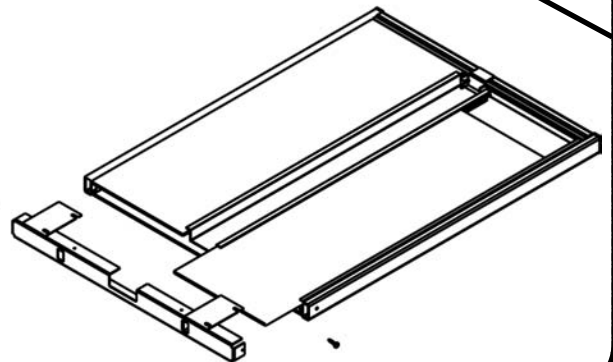


Secure stabilizer to top of STL and end frame with provided sheet metal screws as shown.



JOB SITE REPLACEMENT OF PANELS:

- 1) Lay end frame face down on suitable work surface.
- 2) Remove screws at bottom side of uprights
- 3) Remove bottom frame member as shown.
- 4) Remove back panel(s) and measure length and width.
- 5) Cut replacement panel(s).
- 6) Install new panel(s).
- 7) Turn end frame over and repeat steps 4, 5 and 6 for face panel.
- 8) Replace bottom frame member.



P.O. BOX 729 / TERRELL, TEXAS 75160 / 972.563.5744 / 800.776.2349
P.O. BOX 177 / GOODWATER, ALABAMA 35072 / 256.839.6354 / 800.633.6282



REV#	ECN#	REVISION	BY	DATE	REV#	ECN#	REVISION	BY	DATE
A		NEW FORMAT	AJB	6/5/02					