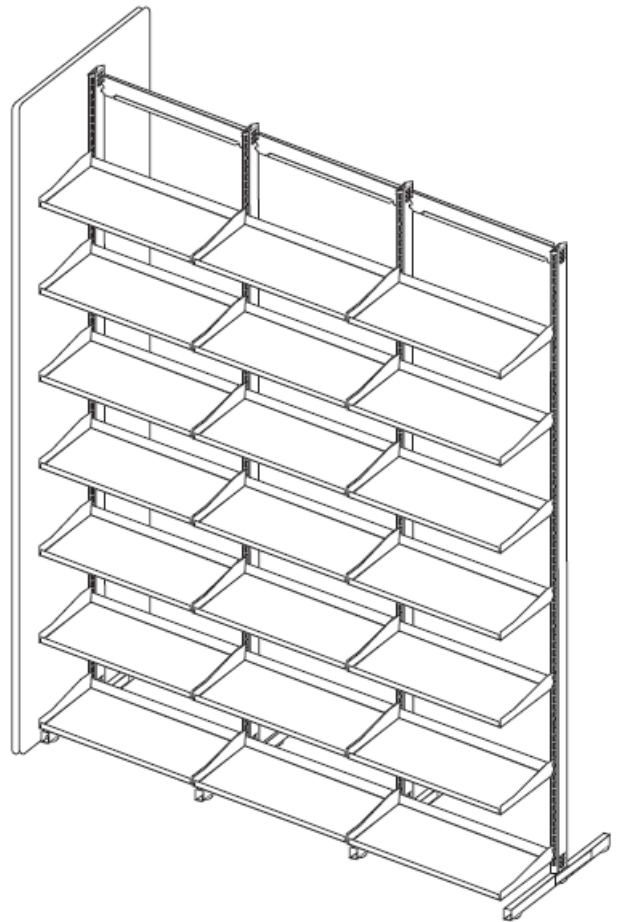
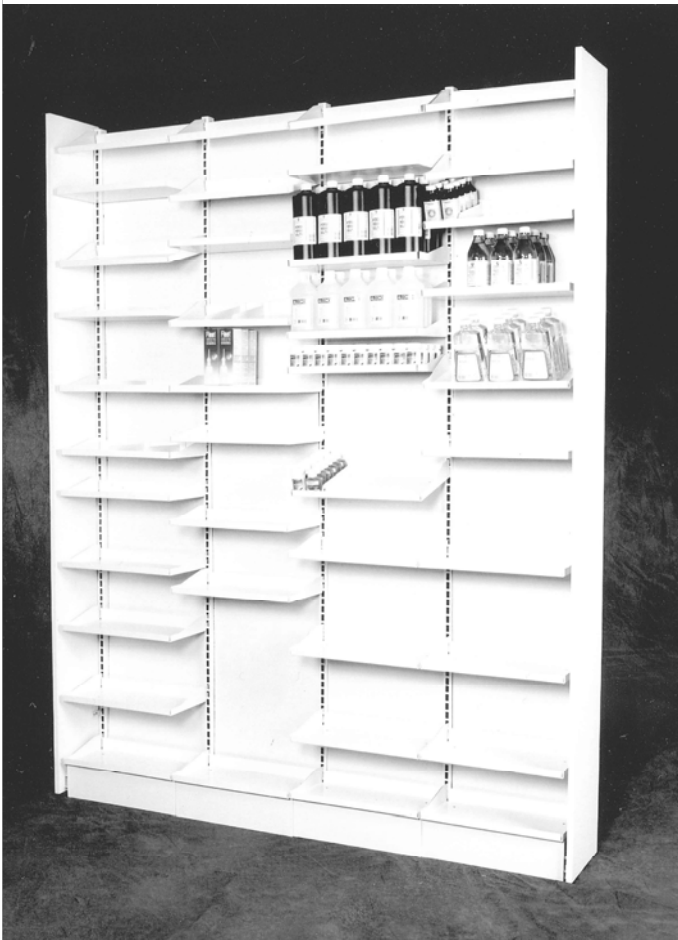


## Madix™ Tubular Rx Shelving

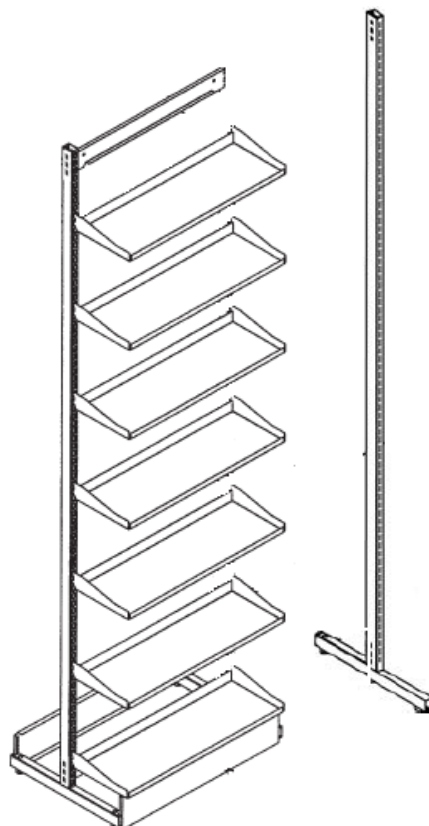


**madix**



- Single and Double sided units
- Closed and open back options
- Tubular upright construction
- Section widths 16", 32", and 48"
- Standard height 84"
- Reversible shelves, 8" deep
- Standard finish is "Snow White"

## Tubular Rx Shelving Kits

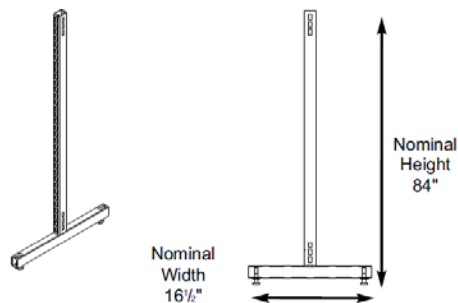


unit type	48" part number	48" part number	32" part number	16" part number
Gondola Section with Solid Back	TRXG-4884-H	TRXG-3684-H	TRXG-3284-H	TRXG-1684-H
Gondola Section with No Back	TRXG-4884-X	TRXG-3684-X	TRXG-3284-X	TRXG-1684-X
Gondola End for Solid Back	TRXGE	TRXGE	TRXGE	TRXGE
Gondola End for No Back	TRXGE-48X	TRXGE-36X	TRXGE-32X	TRXGE-16X
Wall Section with Solid Back	TRXW-4884-H	TRXW-3684-H	TRXW-3284-H	TRXW-1684-H
Wall Section with No Back	TRXW-4884-X	TRXW-3684-X	TRXW-3284-X	TRXW-1684-X
Wall End for Solid Back	TRXWE	TRXWE	TRXWE	TRXWE
Wall End for No Back	TRXWE-48X	TRXWE-36X	TRXWE-32X	TRXWE-16X
<ul style="list-style-type: none"> <li>• Gondola Sections includes (1) upright, (14) shelves, (2) kickplates, (2) stretchers</li> <li>• Wall Sections includes (1) upright, (7) shelves, (1) kickplate, (2) stretchers</li> <li>• Standard finish is Madix "Snow White"</li> </ul>				

# Tubular Rx Shelving

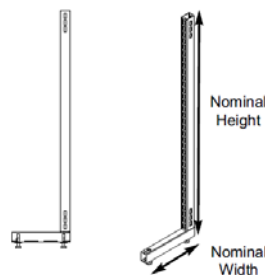
<b>Part Number</b>
TRXUG-(NH)
<ul style="list-style-type: none"> <li>• Nominal height 84"</li> <li>• Nominal width 16-1/2"</li> </ul>

### Pharmacy Gondola Upright



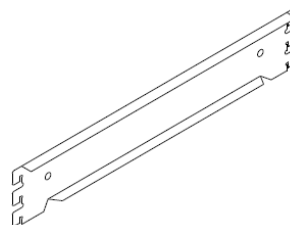
<b>Part Number</b>
TRXUW(NH)
<ul style="list-style-type: none"> <li>• Nominal height 84"</li> <li>• Nominal width 6"</li> </ul>

### Pharmacy Wall Upright



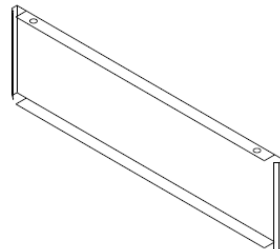
<b>Part Number</b>
TRXSTB(NW)
<ul style="list-style-type: none"> <li>• Attaches one upright to another</li> <li>• Two stretchers per section</li> <li>• Nominal widths 16", 32", and 48"</li> </ul>

### Bay Stretcher



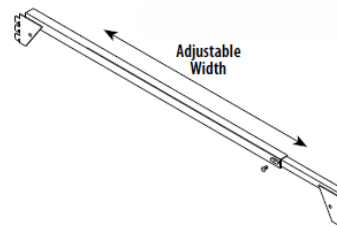
<b>Part Number</b>
TRXK(NW)
<ul style="list-style-type: none"> <li>• Used as bottom filler between floor and shelf</li> <li>• Nominal widths 16", 32", and 48"</li> </ul>

### Heavy Duty Leveler Wrench



<b>Part Number</b>
TRXSTA3054
<ul style="list-style-type: none"> <li>• Used to stabilize bays overhead between aisles</li> <li>• Adjustable from 30" to 54"</li> </ul>

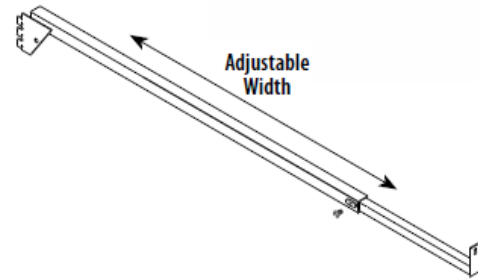
### Installation Kit



# Tubular Rx Shelving

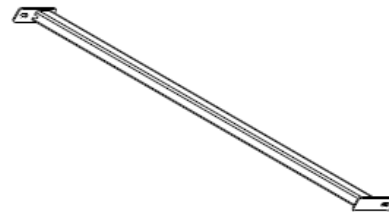
<b>Part Number</b>
TRXSTW3054
<ul style="list-style-type: none"> <li>Used to stabilize freestanding bays</li> <li>Adjustable from 30" to 54"</li> </ul>

## Wall Stretcher



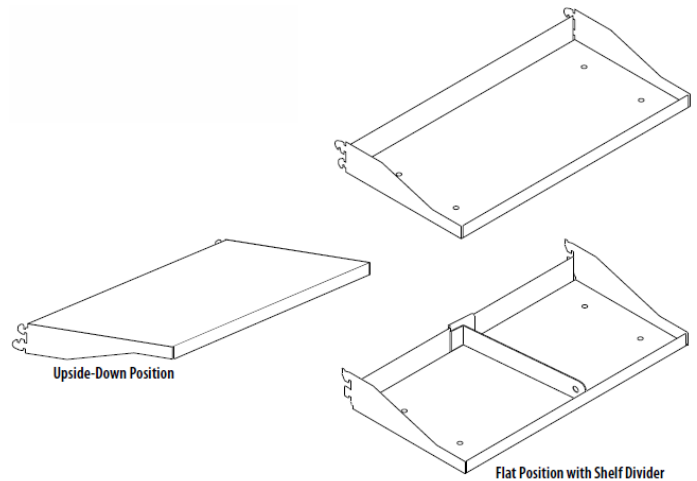
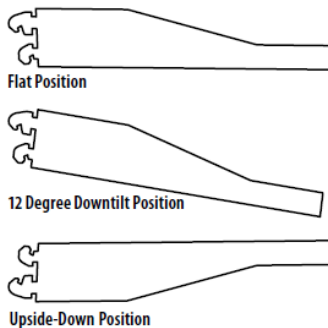
<b>Part Number</b>
TRXD(NW)
<ul style="list-style-type: none"> <li>Adds stability for units without back panels</li> <li>One required per gondola run</li> <li>Nominal widths 16", 32", and 48"</li> </ul>

## Diagonal Stabilizer



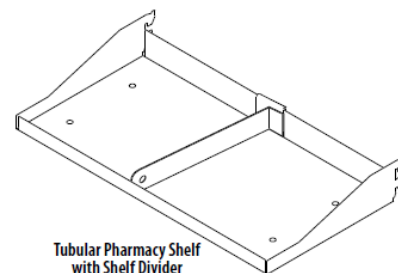
<b>Part Number</b>
TRXSF(NW)(ND)
<ul style="list-style-type: none"> <li>Two position shelf, flat and 12° downtilt</li> <li>Load capacity 30lbs.</li> </ul>

## Shelves



<b>Part Number</b>
TRXSFD-08
<ul style="list-style-type: none"> <li>Sets on shelf to organize products</li> <li>Cannot be used with shelf inside upside down</li> </ul>

## Shelf Divider



## Tubular Rx Shelving

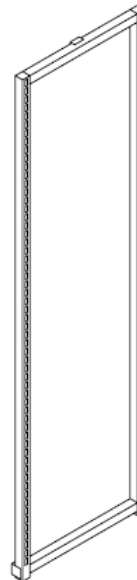
### Pharmacy Back Panel

<b>Part Number</b>
TRXB(NW)(NH)
<ul style="list-style-type: none"> <li>• Optional for wall and gondola units</li> <li>• Attaches to bay stretchers</li> <li>• Nominal height 84"</li> <li>• Nominal widths 16", 32", and 48"</li> </ul>



### Pharmacy End Frame

<b>Part Number</b>
TRXEF8416
<ul style="list-style-type: none"> <li>• Open back end frame</li> <li>• Load capacity 800 inch lbs evenly distributed</li> <li>• Accepts all 16" wide Rx accessoires</li> </ul>



### Will Call Bar

<b>Part Number</b>
TRXWCB(NW)(ND)
<ul style="list-style-type: none"> <li>• Hangs on pharmacy uprights</li> <li>• Extends 6" from face of uprights</li> <li>• Nominal widths 16", 32", and 48"</li> </ul>

