

Boni™ Bottle Bay Rx Shelving



This innovative bottle bay design combines superior design and function into a premiere pharmacy shelving system. It's boltless assembly reduces installation time by 70% compared to other classic bay systems.

- Self-Locking shelves: Slide In & Lock Down
- Reversible shelves: Use With or Without integrated 5/8" front product lip
- Shelf mark points every 3" for easier shelf alignment
- Shelves adjustable vertically every inch
- Double sided bays created with two standard single sided units with drop in connector
- End caps created with standard single sided unit with drop in connector
- Hardboard back panels
- Durable powder coat white finish for metal components
- Section widths: 15", 24", 30", 36" and 48"
- Standard height 84" high
- Standard depth: 7" deep



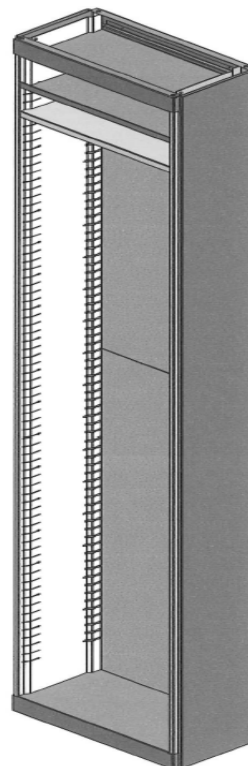
Bottle Bay Rx Shelving

Bottle Bay Kit

Single Bottle Bay Kit

Item	Part Number
15" x 84" x 8"	LAD-MAS-1508
24" x 84" x 8"	LAD-MAS-2408
30" x 84" x 8"	LAD-MAS-3008
36" x 84" x 8"	LAD-MAS-3608
48" x 84" x 8"	LAD-MAS-4808

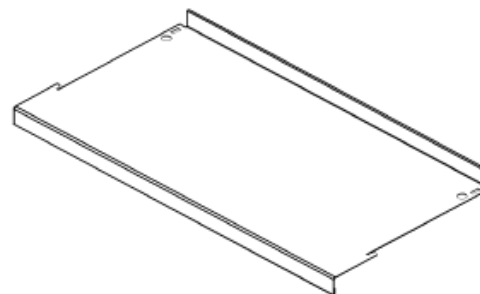
- Finishing end trim ordered separately
- Each unit includes base plus six bay shelves



Bottle Bay Shelf

Item	Part Number
8" x 15"	121-04-1508
8" x 24"	121-04-2408
8" x 30"	121-04-3008
8" x 36"	121-04-3608
8" x 48"	121-04-4808

- Reversible shelves: with or without front product lip



Crossbar

Item	Part Number
24"	021-02-0024
30"	021-02-0030
36"	021-02-0036
48"	021-02-0048

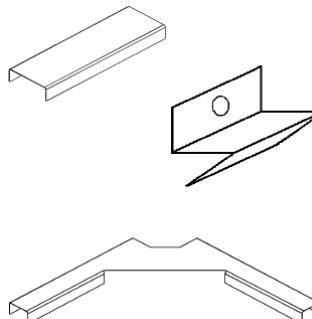
- Drop in stabilizer to span between shelving runs



Bottle Bay Rx Shelving

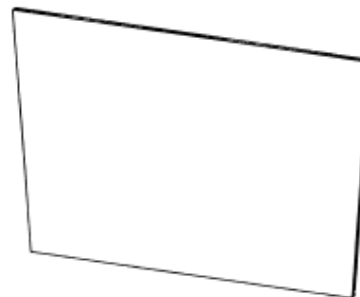
Boltless Attachment Brackets

Item	Part Number
End Unit Bracket 5-3/4" x 3/4"	121-06-0002
End to End Unit 5-5/7" x 3"	121-06-0005
Back to Back Unit 20" x 1 1/2"	121-06-0004
Wall Unit 3"	121-03-0022
Corner Bracket 8" x 8"	121-06-0003
<ul style="list-style-type: none"> Drop in connector brackets, no hardware required 	



Hardboard Back Panel

Item	Part Number
14" x 40"	121-14-1540
24" x 40"	121-14-2440
30" x 40"	121-14-3040
36" x 40"	121-14-3640
48" x 40"	121-14-4840
<ul style="list-style-type: none"> Two panels required per section 	



Back Panel Joiner

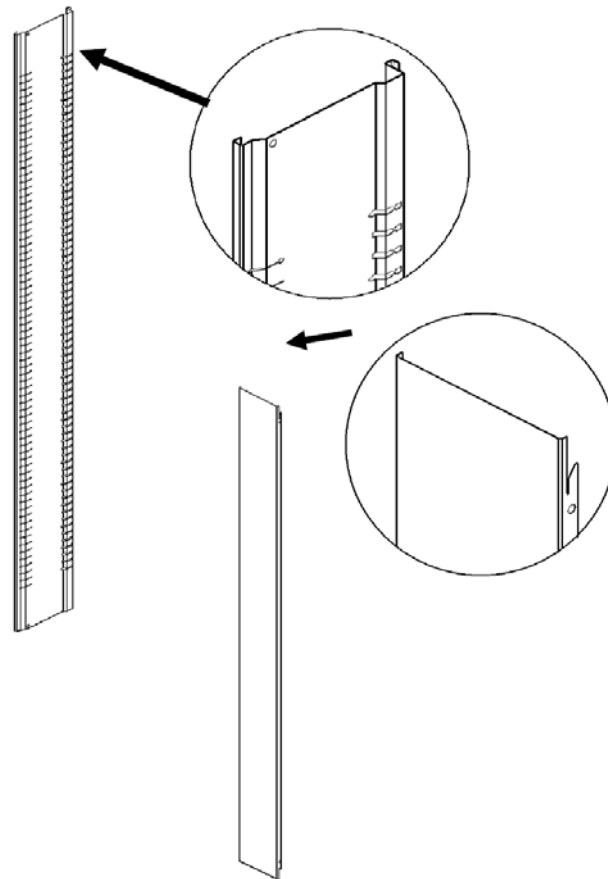
Item	Part Number
14"	121-11-0014
24"	121-11-0024
30"	121-11-0030
36"	121-11-0036
48"	121-11-0048
<ul style="list-style-type: none"> Plastic splicer rail to join back panels 	



Bottle Bay Rx Shelving

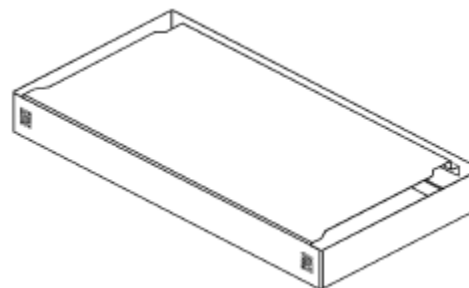
Upright	
Item	Part Number
8" x 84"	121-07-8408
<ul style="list-style-type: none"> • Shelf mark points every 3" • Non-handed upright 	
Upright End Trim	
Item	Part Number
8" x 84"	121-06-8408
<ul style="list-style-type: none"> • Finishing end panels included 	

Upright - Upright End Trim



Item	Part Number
16" x 8"	121-08-1608
24" x 8"	121-08-2408
30" x 8"	121-08-3008
36" x 8"	121-08-3608
48" x 8"	121-08-4808
<ul style="list-style-type: none"> • One stabilizer used on both top and bottom of each section 	

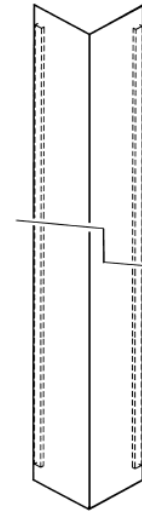
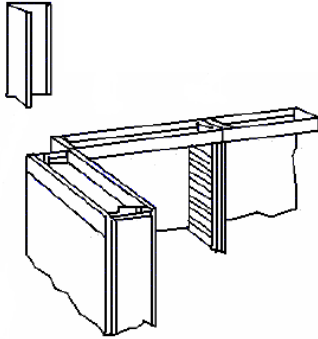
Top / Bottom Stabilizer



Bottle Bay Rx Shelving

Corner End Trim - Single

Item	Part Number
8" x 84" x 8"	121-05-8408
<ul style="list-style-type: none"> Used to close corner angles of a single bay 	



Corner End Trim - Double

Item	Part Number
16" x 84" x 8"	121-05-8416
<ul style="list-style-type: none"> Used to close corner angles of a double bay 	

