



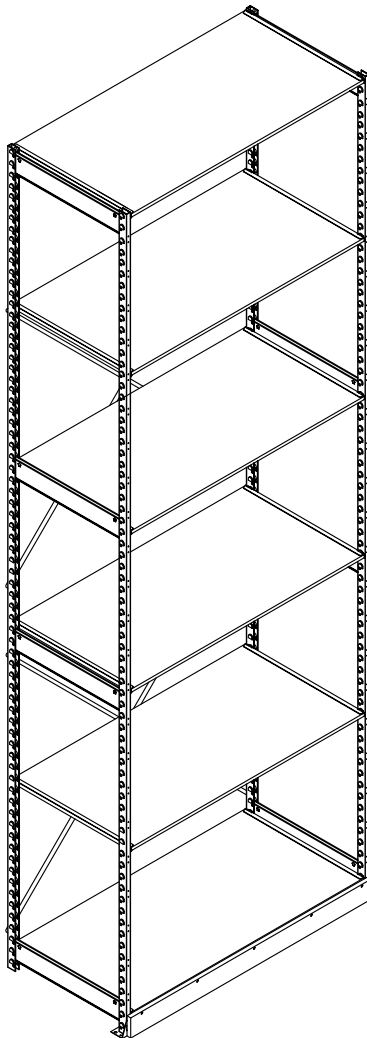
MEG

SHELF SPACE

ASSEMBLY INSTRUCTIONS

FOR

XXXX99-BKROOM



MERCHANDISING EQUIPMENT GROUP, LLC
CAMBRIDGE CITY, INDIANA
CUSTOMER SERVICE 1-800-645-3315

DATE: 7/3/07 REV. D

XB (X-BRACE) & CSA (CLIP SUPPORT ANCHOR)

1. WHILE ONE PERSON HOLDS THE UPRIGHT FRAMES, A SECOND PERSON SHOULD INSTALL AN X-BRACE (XB). (SEE FIGURE 1) START AT THE 2ND SET OF HOLES FROM THE FLOOR AND PUT A SCREW THERE, SEE CHART FOR LOCATION OF OTHER SCREWS. THIS SHOULD BE THE SAME ON THE OTHER UPRIGHT.

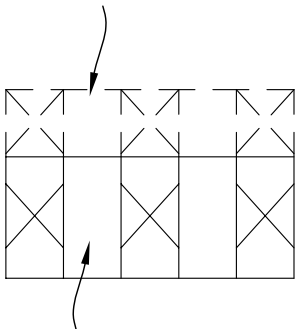
WARNING: UPRIGHT HOLES ARE IN PAIRS. MAKE SURE TO ALWAYS USE BOTTOM HOLES FOR TOP AND BOTTOM OF X-BRACES. ANY OTHER WAY WILL NOT WORK PROPERLY AND WILL CAUSE STRUCTURAL ISSUES, MAKING IT DIFFICULT OR IMPOSSIBLE TO INSTALL SHELVES...!!! (SEE FIGURE 1)

2. FOLLOW THE CHART FOR NEXT X-BRACE (XB) LOCATION. IF ANOTHER X-BRACE (XB) IS NEEDED, FOLLOW STEP ONE.

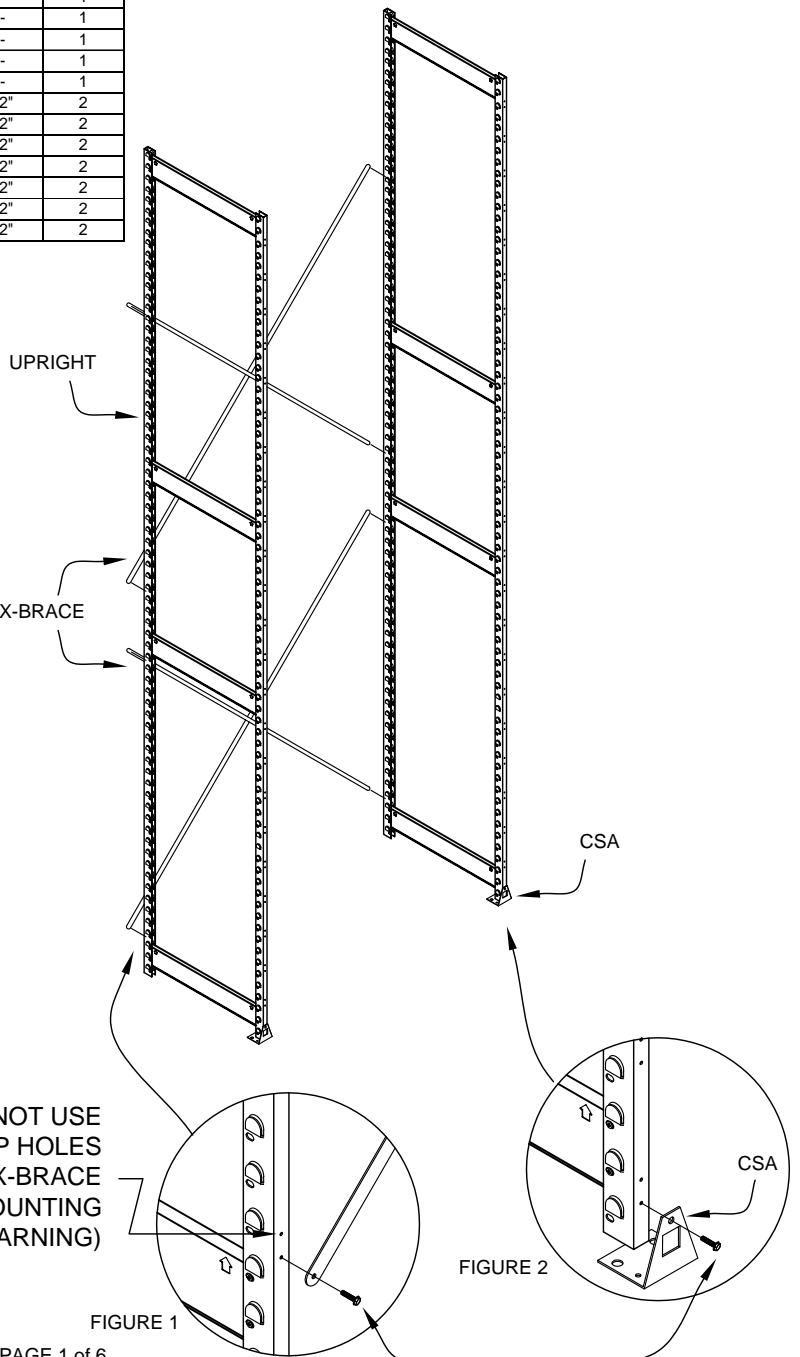
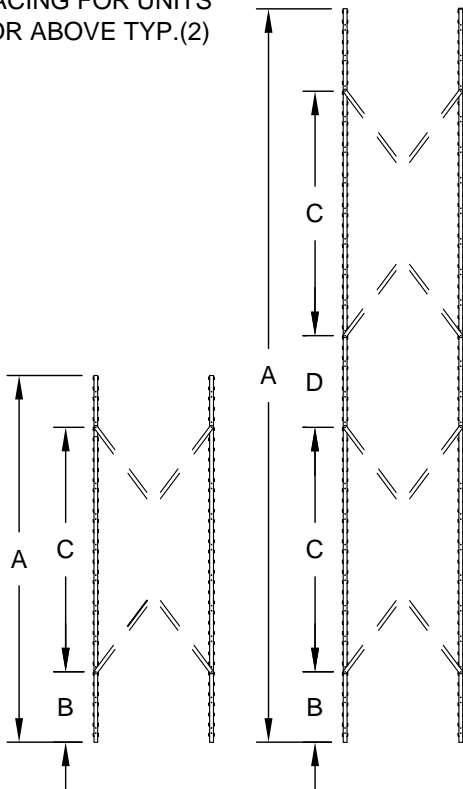
A HEIGHT	B DIM	C DIM	D DIM	NO. OF X-BRACES
36"	1 13/16"	30"	-	1
48"	1 13/16"	30"	-	1
60"	7 13/16"	48"	-	1
72"	7 13/16"	48"	-	1
84"	7 13/16"	48"	-	1
96"	7 13/16"	48"	-	1
102"	7 13/16"	48"	-	1
108"	7 13/16"	48"	-	1
120"	7 13/16"	48"	12"	2
132"	7 13/16"	48"	12"	2
144"	7 13/16"	48"	12"	2
156"	7 13/16"	48"	12"	2
168"	7 13/16"	48"	12"	2
180"	7 13/16"	48"	12"	2
192"	7 13/16"	48"	12"	2

ONE (1) X-BRACE (XB) CONSISTS OF TWO (2) BRACE ARMS (BA)

ONE (1) X-BRACE EVERY OTHER SECTION TO 114" HIGH. UNITS OVER 114" HIGH REQUIRE TWO (2) X-BRACES EVERY OTHER SECTION.



X-BRACING FOR UNITS 120" OR ABOVE TYP.(2)



DO NOT USE TOP HOLES FOR X-BRACE MOUNTING (SEE WARNING)

FIGURE 1

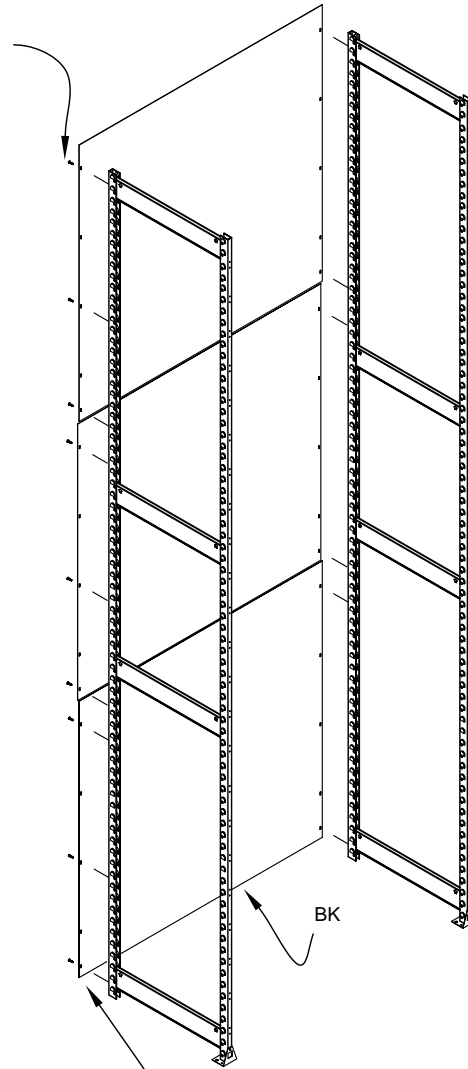
FIGURE 2

BKM (BACK PANEL METAL)

1. WHILE ONE PERSON HOLDS THE UPRIGHT FRAMES, A SECOND PERSON SHOULD INSTALL A BACK PANEL (BK). (SEE FIGURE 1) START AT THE 2nd HOLE FROM THE FLOOR AND PUT A SCREW THERE, THIS SHOULD BE THE SAME ON THE OTHER UPRIGHT. (FIGURE 3)
2. NEXT SKIP A SLOT AND PUT IN ANOTHER SCREW, THIS SHOULD BE THE SAME ON THE OTHER UPRIGHT.
3. LAST SKIP A SLOT AND PUT IN THE LAST SCREW, THIS SHOULD BE THE SAME ON THE OTHER UPRIGHT.
4. FOLLOW STEPS 1 THROUGH 3 UNTIL YOU REACH YOUR DESIRED HEIGHT.

NOTE: ALL METAL BACKS (BK) ARE SHIPPED 48" IN HEIGHT. WHEN INSTALLING ON UNITS THAT DO NOT USE FULL MULTIPLES OF 48", INSTALLER SHOULD OVERLAP THE TOP BACK OVER THE ONE BELOW.

PART# 21401
#10 X 3/4 HHSMS
(6) PER BACK



***IF THERE IS A GAP BETWEEN PANELS
LOOSEN THE SCREWS AND ADJUST**

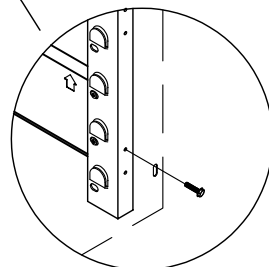


FIGURE 3

KICKPLATE & CSA

1. TO INSTALL THE (KP, KPS) KICKPLATE YOU NEED TO LINE UP THE SLOTS ON THE KICKPLATE WITH THE FIRST SET OF HOLES ON THE UPRIGHT,(FIGURE 4) THEN ATTACH THE CSA WITH HARDWARE PROVIDED.
2. TO INSTALL (KPW) KICKPLATE YOU NEED TO DO THIS AFTER YOU HAVE INSTALLED THE BOTTOM SHELF AND CSA (FIGURE 5)
3. INSTALL THE CSA TO THE FRONT OF THE UPRIGHT (WHERE REQUIRED) WITH THE #10X3/4 HX HD SCREW THAT IS PROVIDED. (FIGURE 6) FASTEN TO FLOOR WITH APPROPRIATE FASTENER PER LOCAL CODES (NOT FURNISHED BY M.E.G.) IF (KP) KICKPLATE OR (KPS) KICKPLATE ARE USED THEY MUST BE INSTALLED BEFORE CSA. (FIGURE 4)

NOTE: *PS & PYS SHELVES TAKE (KP) KICKPLATE*
PYS SHELVES TAKE (KPW) KICKPLATE
KBS SHELVES TAKE (KPS) KICKPLATE

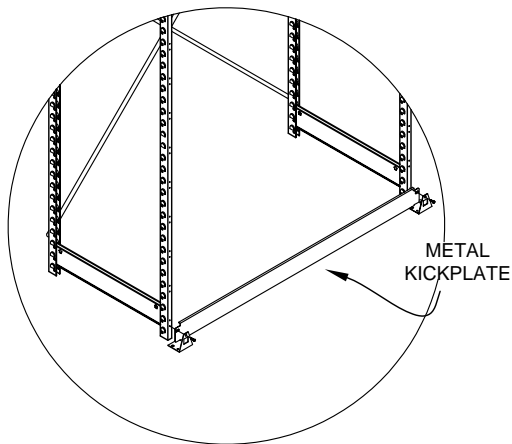
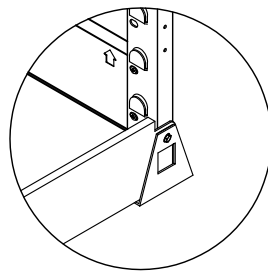


FIGURE 4



CSA INSTALLATION COMPLETE

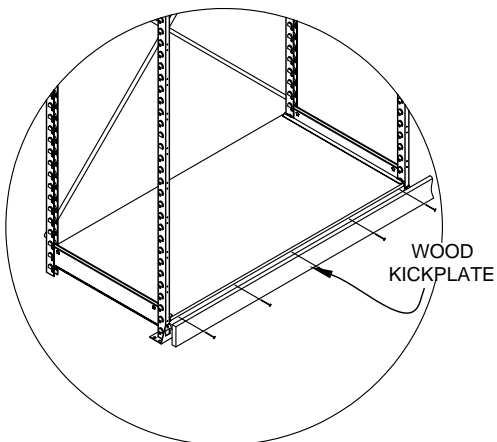
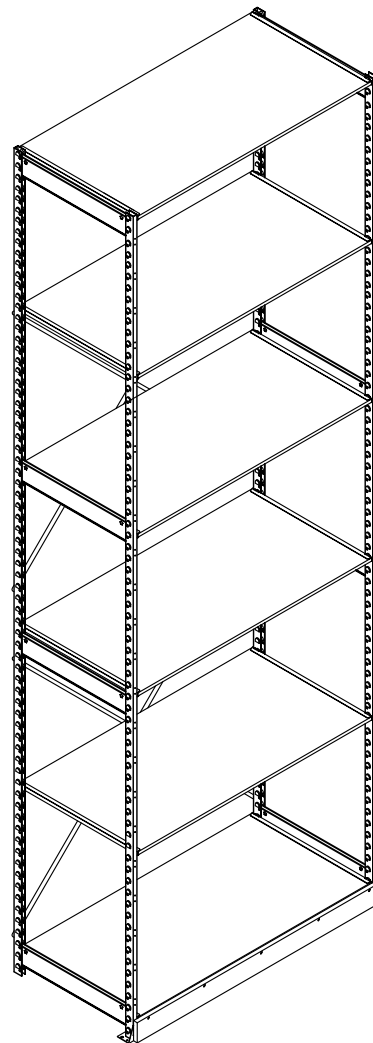


FIGURE 5



SHELF

1. INSTALL THE SHELF BY PUTTING THE SHELF LOOP OVER THE LANCE AS SHOWN (FIGURE 6) AND PUSH DOWN UNTIL THE LOOP IS FULLY SEATED BOTH FRONT AND REAR AT EACH END OF SHELF. (FIGURE 6)
2. POSITION OTHER SHELVES ACCORDING TO PROFILES.

MEG	NOTICE	MEG
MAXIMUM LOADS		
SECTION 2000 LB. <small>Including Above/Below Deck</small>		SHELF 500 LB. <small>300 lb. On 12" Shelves Evenly Distributed</small>
<small>DO NOT USE FOR A STEP, HAND-HOLD OR LADDER REFER TO ASSEMBLY INSTRUCTIONS FOR PROPER INSTALLATION</small>		
<small>STICKER PART #: 1362680-1</small>		

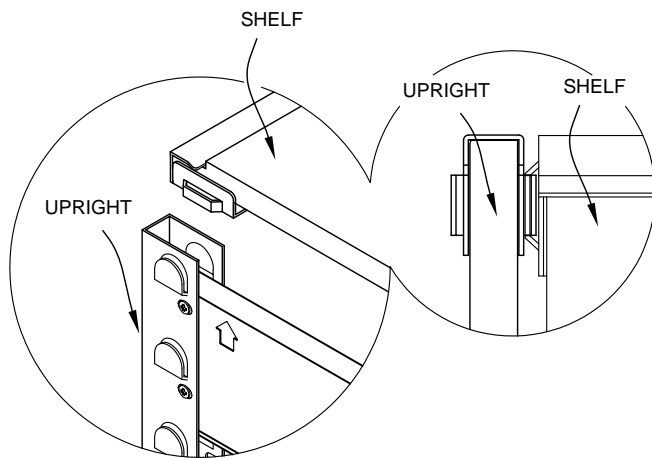
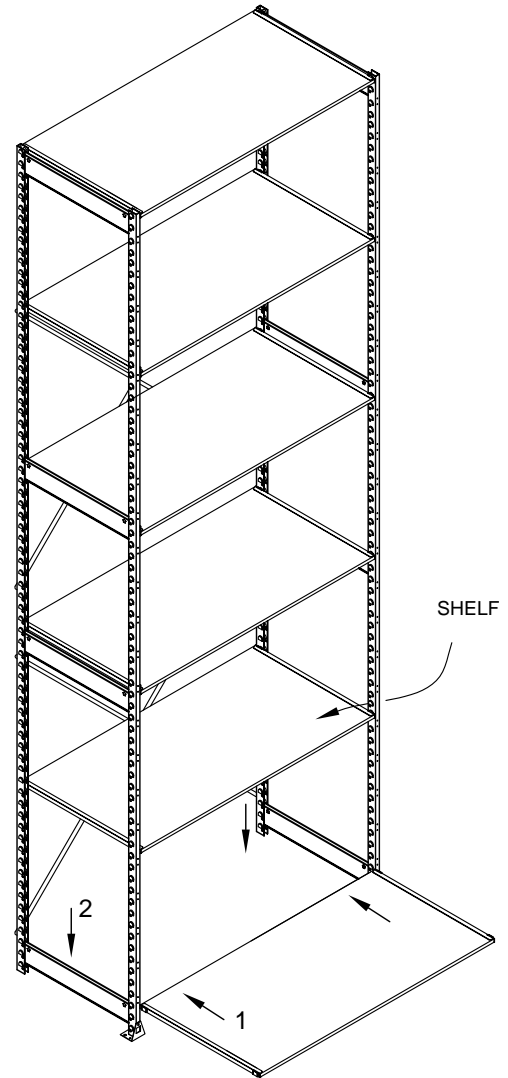
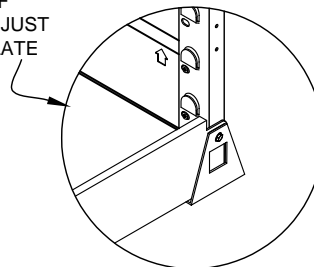


FIGURE 6

BOTTOM SHELF
GOES IN SLOT JUST
ABOVE KICKPLATE



HANGROD

1. TILT HANGROD (HRP) UNTIL TAB IS POSITIONED INTO HOLE OF THE HANGROD CHANNEL (HRBT) AT DESIRED LOCATION (FIGURE 7). INSERT HANGROD (HRP) INTO OTHER HANGROD CHANNEL (HRBT) TO MAKE A HANGROD ASSEMBLY (FIGURE 8)

2. SLIDE ASSEMBLY (HRSA) IN BETWEEN UPRIGHTS AND INSERT SLOTS, ON THE SIDE OF HANGROD CHANNEL ONTO THE LANCES ON UPRIGHT BOTH ENDS. (FIGURE 9)

NOTE: DOUBLE HANGROD ASSEMBLY (HRDA) CAN BE INSTALLED IN THE HANGROD CHANNELS (HRBT) DEPENDING ON SIZE OF MERCHANDISE BEING STORED.

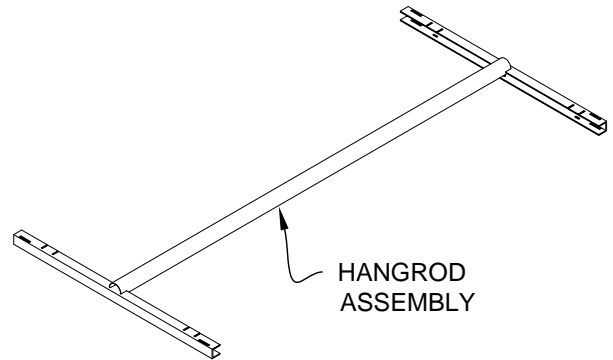
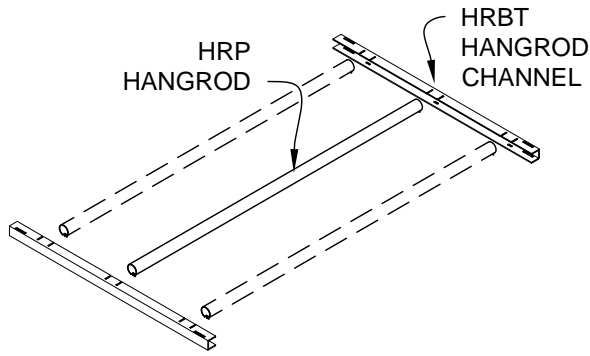


FIGURE 8

NOTE: UNITS RECEIVING HANGRODS ASSEMBLES MUST HAVE TOP AND BOTTOM SHELVES. HANGRODS ASSEMBLES ALONE WILL NOT STABILIZE THESE FIXTURES.

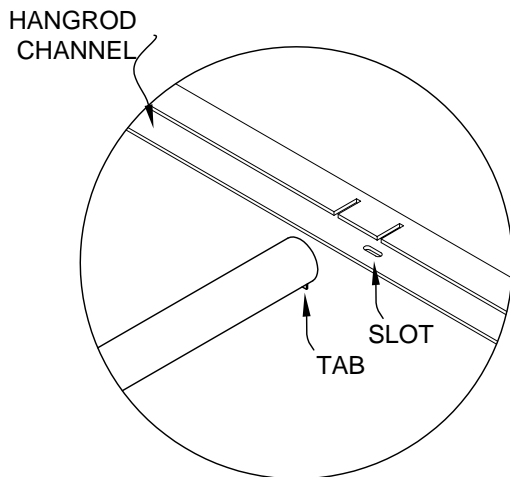


FIGURE 7

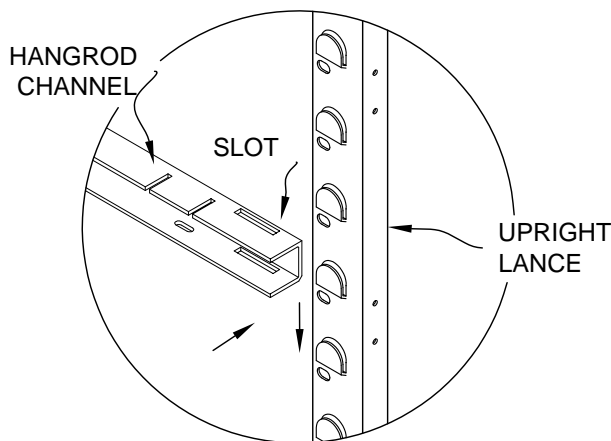
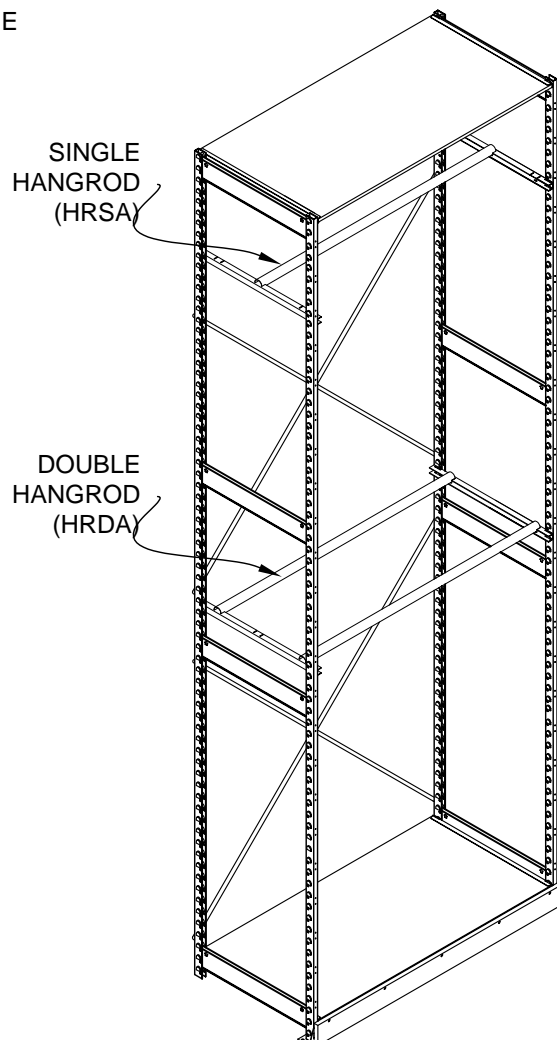


FIGURE 9



BBC (BACK TO BACK CLIP)

1. TO INSTALL THE BBC PLACE DIMPLED SIDE TOWARDS THE UPRIGHT CHANNELS.
2. NEXT SLIDE THE BBC DOWN OVER THE LANCES AS SHOWN IN (FIGURE 10).

*NOTE: SEE DETAIL FOR BBC LOCATIONS

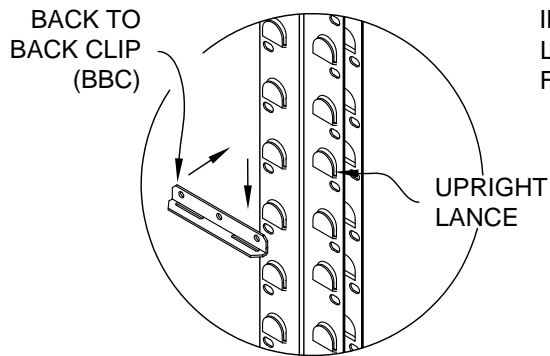
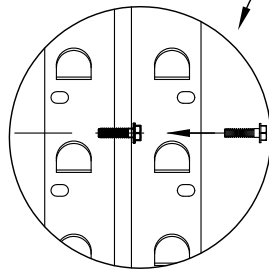


FIGURE 10

INSTALL ON 2ND LANCE DOWN FROM THE TOP

OPTIONAL #10x3/4 HHSMS TOP & BOTTOM (NOT SUPPLIED BY MEG)



INSTALL ON 2ND LANCE UP FROM THE BOTTOM

