

All electrical components for power distribution are UL Listed and are designed for "plug & play" installation (except final connection to building power).

### HDTV System AC/DC Panel<sup>c</sup>

- Available in 36" and 48" lengths
- Available with or without audio/visual distribution amplifiers
- Must order AC Electrical Kit on page 17 to complete installation

#### Amplifiers:

- Compatible with high-resolution HDTVs
- Offers super picture quality
- Saves money by requiring fewer A/V receivers
- Output signal to maximum of 8 TVs

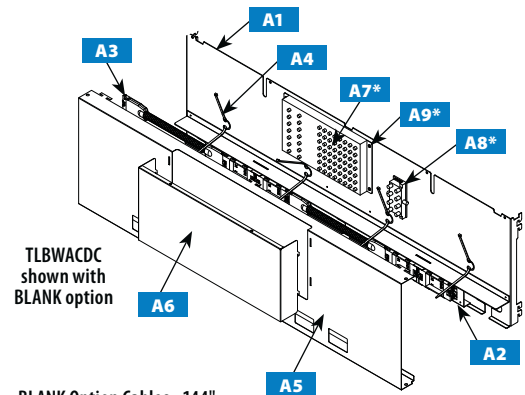


### TLBWACDC(NW)(OPT)(PWR)

TLBWACDC.....Back Wall AC/DC Panel  
 NW.....Nominal Width 36" or 48"  
 (914 mm or 1219 mm)  
 OPT.....Blank=Amp, Tap, Cables  
 X=No Amp, Tap, Cables  
 PWR.....Blank=with Power System  
 Z=without Power System

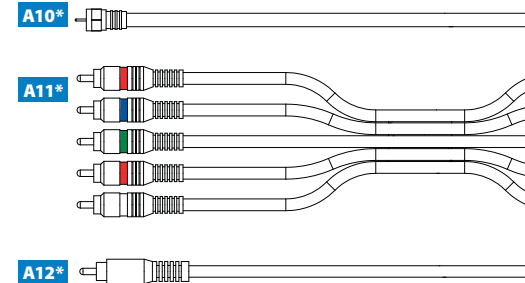
TLBWACDC	
Description	Qty.
<b>A1</b> Back Wall Panel Assembly	1
<b>A2</b> Junction Box	2
<b>A3</b> 8 Wire Power-to-Power Cable	2
<b>A4</b> 14" Black Nylon Cable Tie	4
<b>A5</b> AC/DC Panel Cover	1
<b>A6</b> Amp Panel Cover	1
<b>A7*</b> Amp	1
<b>A8*</b> Tap	1
<b>A9*</b> Screws	6
<b>A10*</b> 12' Coax Cable	1
<b>A11*</b> 12' Component & Video Cable	1
<b>A12*</b> 12' Composite Video Cable	1

\*Items 7-12 included if using "BLANK" option



TLBWACDC shown with BLANK option

BLANK Option Cables - 144"



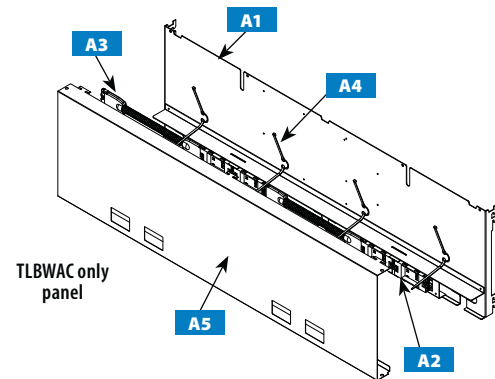
### HDTV System AC Only Panel<sup>c</sup>

- Available in 36" and 48" lengths
- Must order AC Electrical Kit on page 17 to complete installation

### TLBWAC(NW)(PWR)

TLBWAC.....Back Wall AC Panel  
 NW.....Nominal Width 36" or 48"  
 (914 mm or 1219 mm)  
 PWR.....Blank=with Power System  
 Z=without Power System

TLBWAC	
Description	Qty.
<b>A1</b> Back Wall Panel Assembly	1
<b>A2</b> Junction Box	2
<b>A3</b> 8 Wire Power-to-Power Cable	2
<b>A4</b> 14" Black Nylon Cable Tie	4
<b>A5</b> AC Panel Cover	1



TLBWAC only panel

### HDTV System AC/DC Panel with HDMI<sup>c</sup>

- Available in 36" and 48" lengths
- Available with or without audio/visual distribution amplifiers
- Must order AC Electrical Kit on page 17 to complete installation

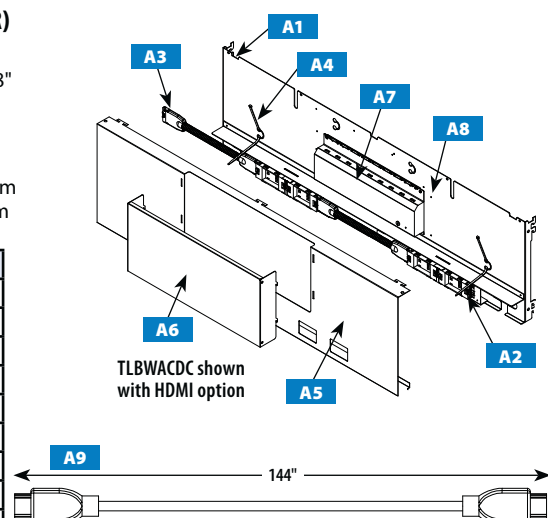
#### Amplifiers:

- Compatible with high-resolution HDTVs
- Offers super picture quality
- Saves money by requiring fewer A/V receivers
- Output signal to maximum of 8 televisions

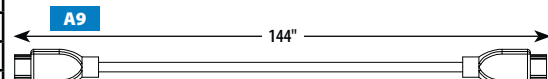
### TLBWACDC(NW)(HDMI)(PWR)

TLBWACDC ...Back Wall AC/DC Panel  
 NW.....Nominal Width 36" or 48"  
 (914 mm or 1219 mm)  
 HDMI.....High-Definition  
 Multimedia Interface  
 PWR.....Blank=with Power System  
 Z=without Power System

TLBWACDC	
Description	Qty.
<b>A1</b> Back Wall Panel Assembly	1
<b>A2</b> Junction Box	2
<b>A3</b> 8 Wire Power-to-Power Cable	2
<b>A4</b> 14" Black Nylon Cable Tie	4
<b>A5</b> AC/DC Panel Cover	1
<b>A6</b> Amp Panel Cover	1
<b>A7</b> HDMI Distribution Amp	1
<b>A8</b> Screws	4
<b>A9</b> 12' HDMI Cable	1



TLBWACDC shown with HDMI option



### TV Wall AC Electrical Kit<sup>c</sup>

Kits contain cables and outlets required to install HDTV System Panels in specific run lengths.

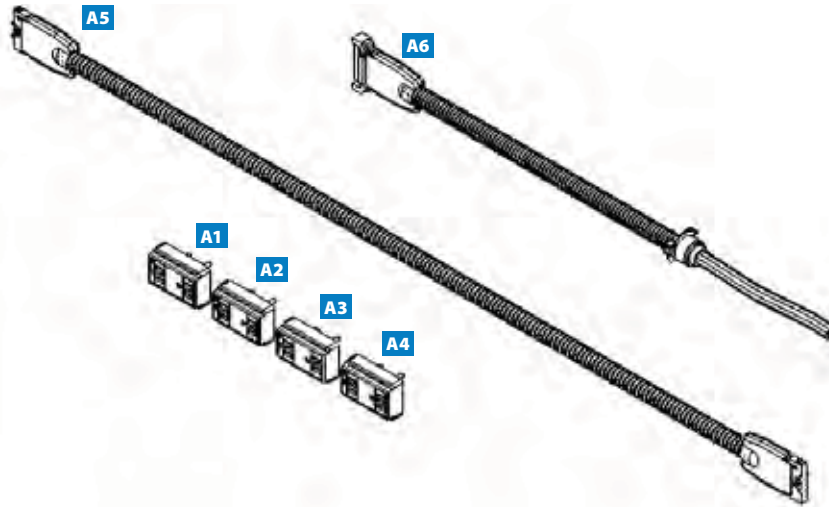
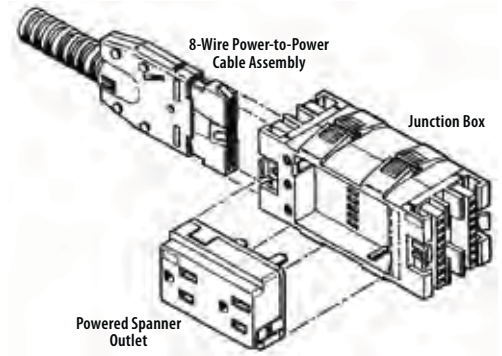
**Example:**

- 32' = Eight 4' Sections
- 1 Power drop every 32'
- 4 Outlets per panel, 2 panels per circuit
- 8 of each number # circuit outlet for every 32'
- Balance load as needed using numbered outlets
- Pre-configured options below represent 32', 48', 64', 100', 120' and 144' runs
- Other configurations available upon request
- Modular power products planning guide to help layout your system available upon request

### TLTVBACKIT20(NL)

- TLTVB .... TV Wall
- ACKIT .... AC Electrical Kit
- 20 .... 20 ft. Power Drop
- NL ... Nominal Length
- 32', 48', 64', 100', 120' or 144'
- (9.75 m, 14.63 m, 19.50 m, 30.48 m, 36.58 m or 43.89 m)

### Electrical Component Detail



32' RUN		
TLTVBACKIT2032		
Part Number		Qty.
A1	PSOUTLET(1)-(2)	8
A2	PSOUTLET(2)-(2)	8
A3	PSOUTLET(3)-(2)	8
A4	PSOUTLET(4)-(2)	8
A5	TCBL8P2P-240	1
A6	TCBL8LE-16	1

48' RUN		
TLTVBACKIT2048		
Part Number		Qty.
A1	PSOUTLET(1)-(2)	12
A2	PSOUTLET(2)-(2)	12
A3	PSOUTLET(3)-(2)	12
A4	PSOUTLET(4)-(2)	12
A5	TCBL8P2P-240	2
A6	TCBL8LE-16	2

64' RUN		
TLTVBACKIT2064		
Part Number		Qty.
A1	PSOUTLET(1)-(2)	18
A2	PSOUTLET(2)-(2)	18
A3	PSOUTLET(3)-(2)	18
A4	PSOUTLET(4)-(2)	18
A5	TCBL8P2P-240	2
A6	TCBL8LE-16	2

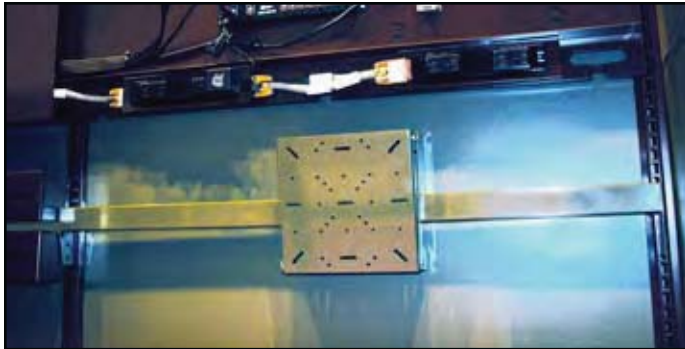
100' RUN		
TLTVBACKIT20100		
Part Number		Qty.
A1	PSOUTLET(1)-(2)	26
A2	PSOUTLET(2)-(2)	26
A3	PSOUTLET(3)-(2)	26
A4	PSOUTLET(4)-(2)	26
A5	TCBL8P2P-240	3
A6	TCBL8LE-16	3

120' RUN		
TLTVBACKIT20120		
Part Number		Qty.
A1	PSOUTLET(1)-(2)	30
A2	PSOUTLET(2)-(2)	30
A3	PSOUTLET(3)-(2)	30
A4	PSOUTLET(4)-(2)	30
A5	TCBL8P2P-240	3
A6	TCBL8LE-16	3

144' RUN		
TLTVBACKIT20144		
Part Number		Qty.
A1	PSOUTLET(1)-(2)	34
A2	PSOUTLET(2)-(2)	34
A3	PSOUTLET(3)-(2)	34
A4	PSOUTLET(4)-(2)	34
A5	TCBL8P2P-240	4
A6	TCBL8LE-16	4

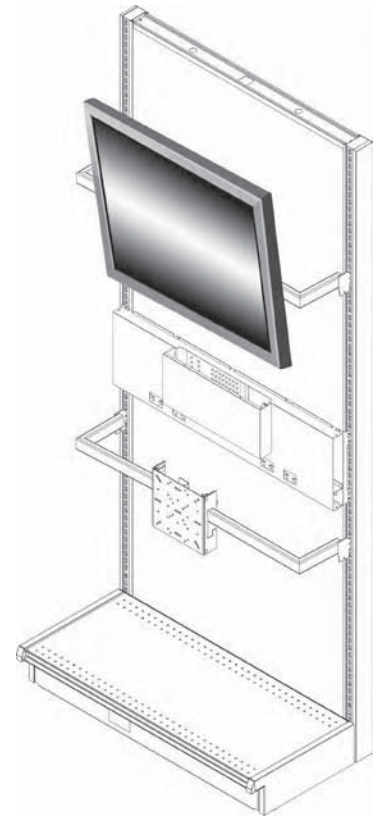
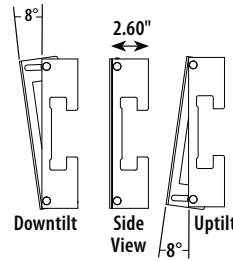
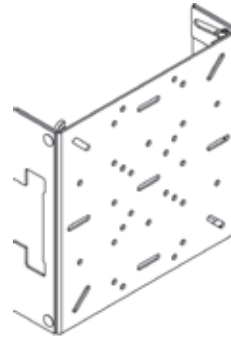
**TV Mount for Crossbar<sup>B</sup>**

- VESA 50/75/100 compatible
- Mounts onto any 1" x 2" crossbar such as RGVDBNH-(NW), ordered separately
- Holds up to 36" screen TVs
- Bracket pivots to uptilt, downtilt 8° or mount flat at 90°
- Weight capacity 50 lbs



**CBMUPTVB**

CBMUPTVB .....Crossbar Mount Universal TV Bracket



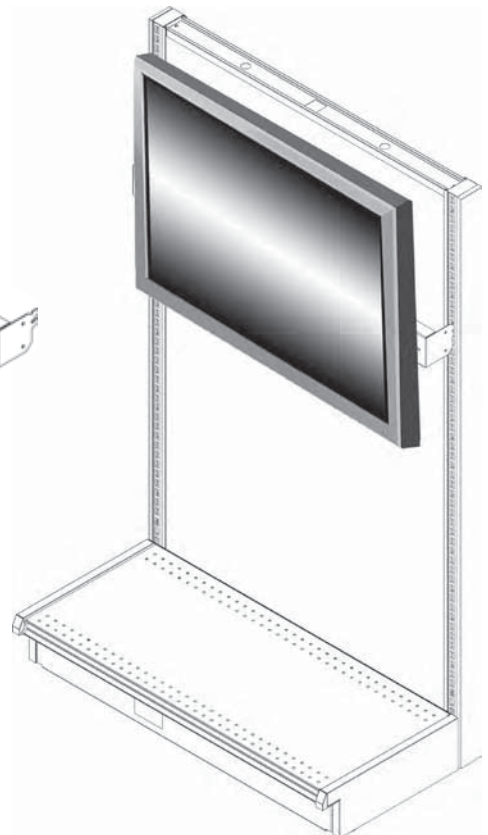
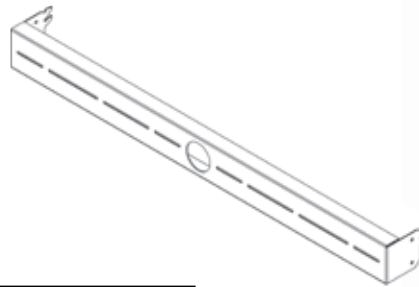
**Flat Panel TV Bracket<sup>B</sup>**

- VESA 50/75/100 compatible
- Holds up to 36" screen TVs
- Bracket pivots to uptilt, downtilt 8° or mount flat at 90° (Pivot may be limited by TV size)
- Weight capacity 75 lbs



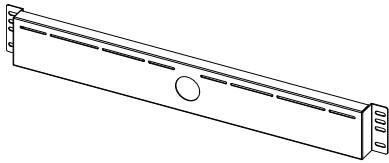
**LCDTVCB(NW)**

LCDTVCB .....LCD TV Crossbar  
 NW .....Nominal Width 36", 48"  
 (914 mm, 1219 mm)



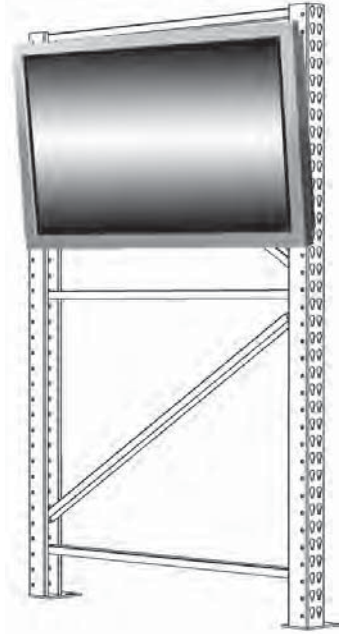
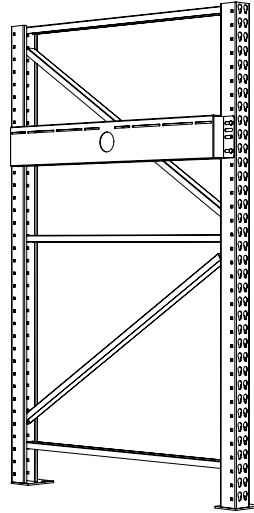
**Pallet Rack TV Bracket<sup>B</sup>**

- Mounts to end of Pallet Rack using four 3/8 - 3/16 x 1" bolts
- Nominal widths 36", 42", 48"
- Mounting slots are located toward top to allow gusset style mounting and securing of aftermarket TV mounting brackets



**LCDTVCBPREM(NW)**

- LCDTVCB.....LCD TV Crossbar
- PR.....Pallet Rack
- EM.....End Mount
- NW.....Nominal Width 36", 42" and 48" (914 mm, 1067 mm, 1219 mm)

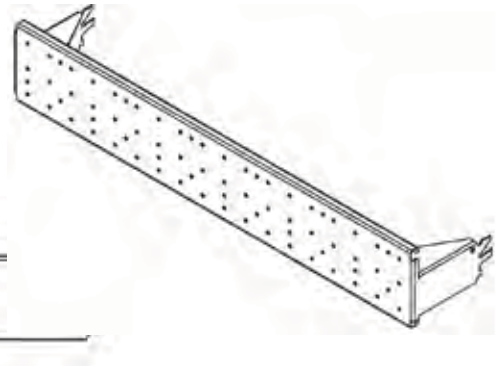


**Flat Panel TV Mounting Bar<sup>B</sup>**

- Variety of mounting hole locations for multiple mounting hardware options
- Boxed frame for strength and durability
- 3 position bracket
- Offset from fixture

**FPTVMB(NW)(ND)(NH)**

- FPTVMB .....Flat Panel TV Mounting Bar
- NW .....Nominal Width 36", 48" (914 mm, 1219 mm)
- ND .....Nominal Depth 6" (152 mm)
- NH .....Nominal Height 6", 10" (152 mm, 254 mm)



**TV Mounting Plate<sup>B</sup>**

- Available in 48" only
- Integrated cable management
- Accepts aftermarket TV mounting brackets

**TVMP(NW)(NH)**

- TVMP .... TV Mounting Plate
- NW .... Nominal Width 48" (1219 mm)
- NH .... Nominal Height 7" (178 mm)

